



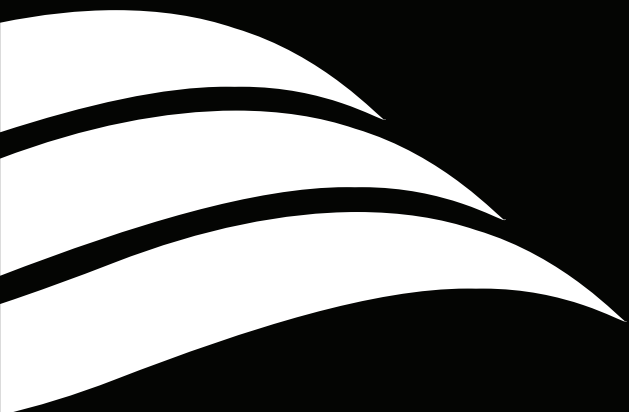
39 Behms Road, Norwell, Gold Coast, Qld 4208.

Oxenford, Qld 4210

Phone 07 5546 2804

www.seabreeze-industries.com.au

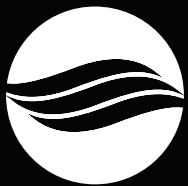
21st Edition
Product Catalogue



seabreeze

industries

we're with you



Seabreeze Industries. We're with you.

Whether you're under pressure to deliver a clients stunning new cruiser, putting the finishing touches to a hand built master piece or simply want to update your air-conditioning, refrigeration, watermaker or toilet system you can rest easy in the

knowledge that Seabreeze Industries will provide you with the best products available in the market today, backed by an unwavering commitment to service and support. Call us today to experience how we can help you with your marine needs.



Contents

Marine Air Conditioning

by Dometic GROUP

Marine Sanitation

by Dometic GROUP

Water Makers

by Dometic GROUP

Refrigeration

by Dometic GROUP



Mobile living made easy.



seabreeze
industries

www.seabreeze-industries.com.au

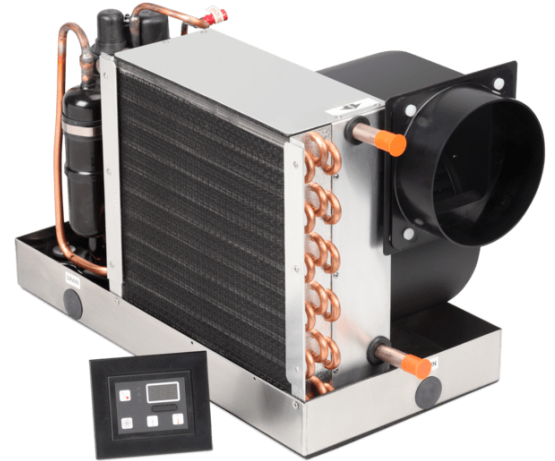
Dometic ECD Self-Contained

Direct expansion self contained kit from 6,000 to 16,000 BTU

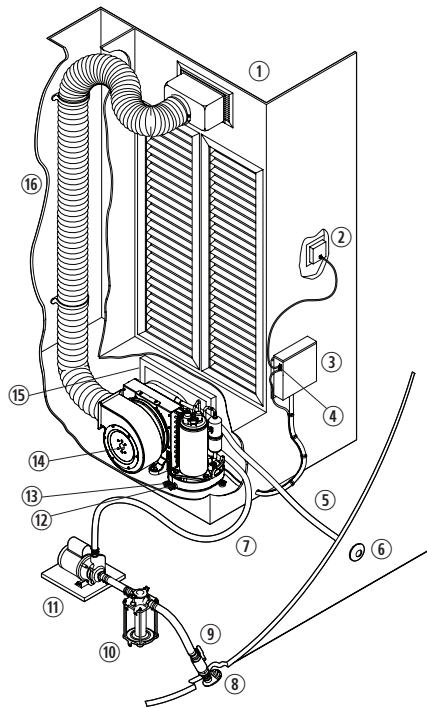
Enjoy ideal temperatures on your boat year-round with EnviroComfort (ECD series) self-contained air conditioning kits. Offering cooling or heating in 6,000, 10,000 and 16,000 BTU/hr capacities, ECD Kits contain all components for a complete A/C system.

All units have high-velocity blowers with internal motors for a more compact installation footprint. The blower can be rotated to a horizontal or vertical position for greater installation flexibility.

Units are built on an easy-to-plumb stainless-steel drain pan, and the pre-installed return-air filter is removable for cleaning. ECD units are operated by a compact digital control/display (included) that features a bright green LED and large buttons. For added installation convenience, the plastic electrical box can be mounted remotely.



- ① Supply Air Grille and Transition Box
- ② Digital Display
- ③ Electric Box
- ④ Optional Remote Air Sensor Cable
- ⑤ Seawater Outlet Hose
- ⑥ Overboard Discharge
- ⑦ Seawater Inlet Hose
- ⑧ Seawater Scoop Thru-Hull Inlet
- ⑨ Seacock Shut-Off Valve
- ⑩ Seawater Strainer
- ⑪ Pump
- ⑫ Condensate Drain
- ⑬ Mounting Bracket
- ⑭ Air Conditioning Unit
- ⑮ Return Air Grille and Filter
- ⑯ Insulated Flexible Ducting



Key Benefits

- High-velocity, rotatable blower for horizontal or vertical installation
- Environmentally friendly R-410A refrigerant.
- Easy to use Dometic digital control and display
- Stainless steel drain pan
- Plastic remote electrical box for convenience in mounting
- Pre-installed return-air filter, easily removable and cleanable
- Small, compact, space saving design

Unit Dimensions

DIMENSIONS	UNIT CAPACITIES		
	6,000 BTU IN/MM	10,000 BTU IN/MM	16,000 BTU IN/MM
A - Duct Size	4.0/102	6.0/153	6.0/153
B - Base Depth	8.0/204	8.75/223	10.25/261
C - Overall Depth	9.0/229	9.63/245	11.25/286
D - Width	16.0/407	22.0/559	22.0/559
E - Height	11.25/286	13.50/343	13.5/343

Compact Series Multi-Ton Air Conditioning

High-Capacity Air Conditioning In a Compact Package

The Compact series of self-contained marine air conditioners offers 18,000 and 27,000, and 30,000 BTU/hr of reverse-cycle cooling and heating. These high-capacity units were engineered to harness and maximize the impressive performance of environmentally safe R-410A refrigerant. Used in the HVAC industry for more than 10 years, R-410A is proven and reliable, complies with all EPA standards, and is accepted worldwide.

All models offer direct expansion operation in a compact, low-profile unit, with a seawater-cooled condenser and choice of controls. Compact units are designed for installation under a settee or berth, in a locker or cabinet, or other convenient location.

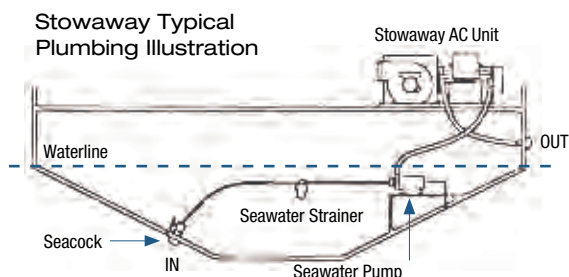
Compact systems feature high-velocity (HV) blowers. All blowers are insulated to prevent secondary condensation, and are fully rotatable for flexibility during installation. A stainless-steel chassis is standard on all Compact models.



DCU27 shown

Key Benefits

- Compact design reduces unit size Rotary's size
- High-velocity (HV) fully-insulated blowers are rotatable
- Patented design increases cooling capacity and dehumidification
- Engineered to maximize the performance of R-410A, an environmentally safe refrigerant



The Turbo series completely revolutionized self-contained cooling and heating with the newest innovations in marine air conditioning system design, winning the IBEX Innovation Award in 2007.

The rust-free molded composite drain pan has three drains for the rapid removal of condensate water. The drain pan has a small footprint for installation flexibility.

A vibration-isolation mounting system results in significantly quieter, virtually vibration-free performance. The enclosed blower eliminated overhand for reduced depth.

The turbo series was specifically engineered to harness and maximize the impressive performance of R-410A, a proven and environmentally safe refrigerant gas.



DTU14 Turbo shown with optional Sound Shield

Key Benefits

- Up to 27% more energy efficient.
- Up to 21% increased capacity.
- Compact design uses less space.
- Rust-free drain pan.
- Up to 85% less standing water in drain pan.
- Reduced noise and vibration with high-velocity blowers and mounts.
- Optional sound cover further reduces compressor noise by up to 50%.



QUIET
Vibration-isolation mounting clips reduce vibration and noise



UPGRADE
Optional sound cover further reduces compressor noise by up to 50%



WORRY FREE
Composite drain pan will not rust

Specifications for Turbo Models



Model	DTU6				DTU8				DTU10				DTU12			
Capacity (BTU/Hr)	6,000				8,000				10,000				12,000			
Voltage (VAC)	115V	230V	240V		115V	230V	240V		115V	230V	240V		115V	230V	240V	
Cycle (Hz)/Phase (Ph)	60Hz	1Ph	50Hz	1Ph	60Hz	1Ph	50Hz	1Ph	60Hz	1Ph	50Hz	1Ph	60Hz	1Ph	50Hz	1Ph
Full Load Amps (FLA) cool	4.6	2.2	2.7		5.5	3.1	3.2		6.7	3.3	3.2		8.7	4	3.3	
Full Load Amps (FLA) heat	5.9	2.8	3.7		7.1	4	4.1		8.8	3.9	4.3		10.9	5.1	4.3	
Starting Amps	4.6	29	11		40	19	20		42	21	16.9		53	26	22.2	

Unit Dimensions

Height	11.1"	28.2cm		11.1"	28.2cm		13"	33.1cm		31.85cm		12.5"	31.8cm									
Width	17.6"	44.8cm		17.6"	44.8cm		20.4"		51.9cm		20.4"	51.9cm										
Depth	10.7"	27.2cm		10.7"	27.2cm		12.4"		31.5cm		12.4"	31.5cm										
Duct Size	4"	10.2cm		5"	12.7cm		6"		15.3cm		6"	15.3cm										
Discharge Grill (sq in/cm)	32"	207cm ²		48"	310cm ²		60"		388cm ²		70"	452cm ²										
Return Air Grill (sq in/cm)	64"	413cm ²		80"	517cm ²		110"		646cm ²		130"	839cm ²										
Gross Weight	50.3lbs	22.8kg	41lbs	18.6kg	50.8lbs	23.1kg	53.7lbs	24.4kg	44lbs	20kg	57.5lbs	26.1kg	59.5lbs	27kg	53lbs	24kg	55lbs	25kg	61lbs	27.7kg	67.8lbs	24.5kg



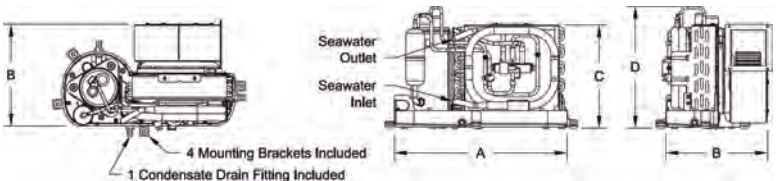
Model	DTU16				DCU18				DCU27					
Capacity (BTU/Hr)	16,000				18,000				27,000					
Voltage (VAC)	115V	230V	240V		115V	230V	220V		230V	220V				
Cycle (Hz)/Phase (Ph)	60Hz	1Ph	50Hz	1Ph	60Hz	1Ph	60Hz	2Ph	50Hz	1Ph	60Hz	2Ph	50Hz	1Ph
Full Load Amps (FLA) cool	10.4	5.1	4.5		11.1	6.4	5.75		8.1	7.6				
Full Load Amps (FLA) heat	13.6	6.6	5.9		15.1	8.3	7.05		11.1	11				
Starting Amps	59	34	32		66	32	26		58.3	60				

Unit Dimensions

Height - Compressor (D*)	13.4"	34.1cm		15.5"	39.4cm		19.25"	48.9cm						
Width	21.4"	54.4cm		12"	30.5cm		15.25"	38.8cm						
Depth	13.3"	33.8cm		21"	53.4cm		24.75"	62.9cm						
Duct Size	7"	17.8cm		7"	17.8cm		8"	20.4cm						
Discharge Grill (sq in/cm)	80"	517cm ²		100cm ²	646cm ²		140"	904cm ²						
Return Air Grill (sq in/cm)	160"	1033cm ²		200"	1291cm ²		240"	1549cm ²						
Gross Weight	69.5lbs	31.6kg	31.6lbs	31.3kg	67.75lbs	30.8kg	73lbs	33.2kg	81lbs	36.8kg	82lbs	37.2kg	130lbs	59kg

Notes:

- 1) To complete the model numbers for a specific voltage/cycle/phase, add a '-1161' for 115V/60Hz/1-Phase, '-2251' for 220-240V/50Hz/1-Phase, and '-2361' for 230V/60Hz/1-Phase, followed by '-410A' (e.g. 'DTU16-2361-410A')
 - 2) BTU and electrical data are based on a 45°F / 7.2°C evaporator and 100°F / 7.8°C condenser in cool mode, and a 45°F / 2°C evaporator and 130°F / 54.4°C condenser in heat.
 - 3) Note: 60Hz units must not operate at 50Hz and 50Hz units must not operate at 60Hz.
 - 4) Refrigerant charges shown are for R22. Alternative "Environmentally Friendly Green Gas" refrigerants available on request.
- † Refers to callouts shown in drawing.



Power Up With SmartStart™ II

Eliminate Startup Spikes

The biggest drain on your power source usually occurs when the air conditioning compressor starts. The big power surge can cause lights and other electrical appliances to flicker and falter. In severe cases, the surge can cause the boat to lose power completely.

The SmartStart™ II is a unique device that smooths out startup power demand instead of spiking it, reducing amp requirements by up to 65%. The technology uses dynamic feedback control to reduce the inrush of current by starting the compressor motor slowly. No other soft starter in the industry provides better performance.

Discover How to Save Money and Energy

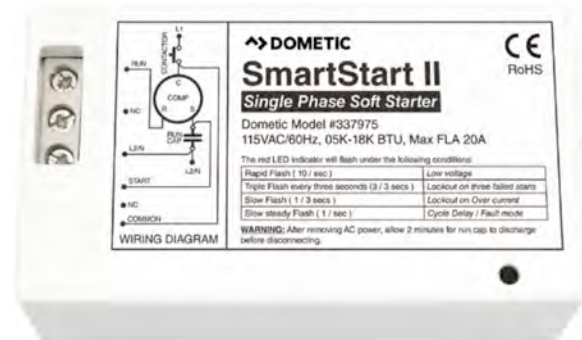
Once running, an air conditioning compressor has a much lower, steady amp draw, but the initial locked-rotor amps needed to start the system can create high current surges that could adversely affect the operation of an overstressed power source.

In some situations, this gentler method of handling the power surge can mean the difference between keeping the generator you have or investing thousands of dollars in a larger generator.

For boats without a generator, the SmartStart™ II may allow the option of powering an air conditioning system from an inverter.

When running on dock power, a SmartStart™ II may resolve issues where the power source or connection may be weak.

Not only does the SmartStart™ II ease strain on the power source, it's also less stressful for the compressor itself since it starts more gently. Additionally, it provides valuable protection by shutting down the compressor if the power source or the connection to the compressor is briefly interrupted, then it reattempts a soft start after a three-minute delay.



StartSmart™ II Model #337975 shown

Key Benefits

- Reduces strain on the power source
- Reduces brown-out effects at compressor start-up
- May enable an inverter to power the air conditioner
- May eliminate the need to upgrade the generator
- Fault-code LED provides troubleshooting assistance
- Easier wiring with new termination block
- Inexpensive, small, and lightweight

Little Package

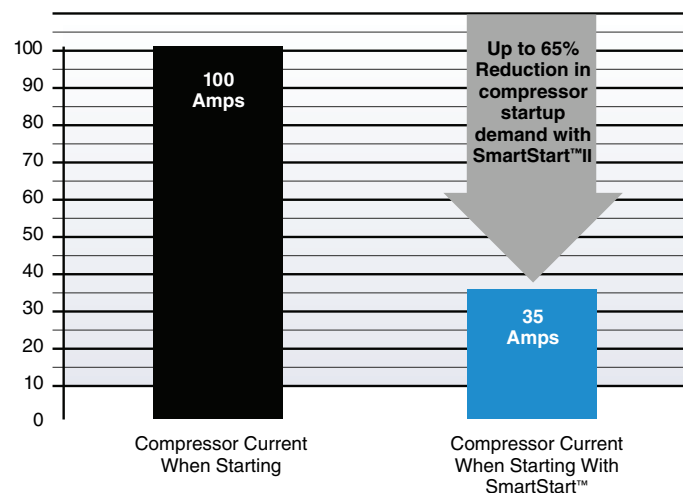
All this power comes in a surprisingly small package. At only 5 x 3 x 2 in. (127 x 76 x 51 mm), the SmartStart™ II takes up little space and weighs only 15 oz. (0.43 kg.). The SmartStart™ II is wired directly into the air-conditioning system's electrical box.

Technical Specifications for SmartStart™ II

Model	Voltage (volts) / Frequency (Hz)	Supported Compressor Capacity Range (BTUs)
337975	115/60	5K-18K
337976	208-240/50-60	12K-30K
337977	208-240/50-60	36K-60K
SmartStart™ Accessories		
4220045	Optional Mounting Tray	

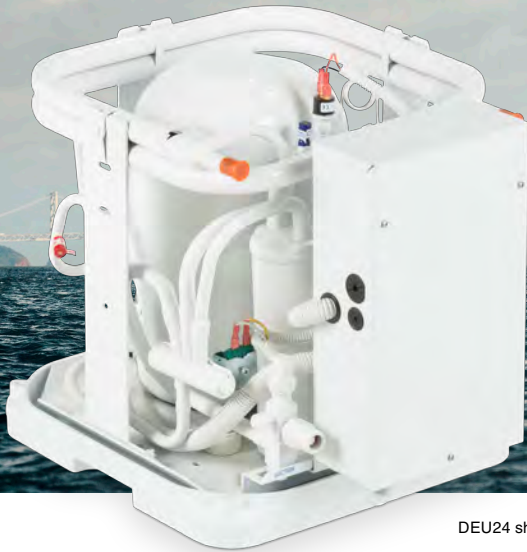
Notes:

- Maximum continuous current for all models: 32 Amps.
- Typical start surge reduction as compared to compressor locked-rotor amperage (LRA): 65%.



Emerald Condenser 6K-72K Series

Innovative Chassis Conquers Installation Challenges



DEU24 shown

After listening to boat builders, global service teams and boat owners, Dometic engineers designed a totally innovative Emerald Condenser series to harness and maximize the impressive performance of R-410A refrigerant while meeting all international clean air standards.

The increase in BTU capacity is due primarily to the improved refrigerant metering design. The bi-flow thermal expansion valve for cooling provides up to a 14% increase in system capacity, which, when combined with a separate metering system for heating, attains an increase of up to 10% in heating performance. The amperage reduction of up to 27% is due to the more efficient design of the rotary compressor and properly sized refrigerant components.

The Emerald Condenser has a minimized footprint. This compact design incorporates built-in isolation, two large drain connections and numerous mounting options for installation to a smooth deck, stringer or existing rack. The incorporated lifting handles and smooth bottom allows for easy lifting and quick placement of the unit. The molded composite no-rust drain pan is shaped to provide positive drainage even when the boat heaves and rolls. The amount of standing water in the drain pan is reduced by up to 85%, which is 8x times less than a typical drain pan.

The condensing unit provides quick and easy installation. The drain, seawater and refrigerant connections are conveniently located to conquer installation challenges thus reducing installation time by up to fifteen minutes. The electrical box can be easily removed and located up to 5 ft. (1.5 m) away, further reducing the size of the unit while making the system more accessible. The reversing valve, pressure switches and service ports are centrally located, high on the unit for access from any side.

Key Benefits

- Up to 17.5% increase in BTU capacity.
- Up to 41% amperage reduction.
- Up to 32% reduced start-up amps.
- Up to 16% smaller.
- Up to 25% lighter.
- Up to 85% reduction in condensate in the drain pan.
- Up to 15 minutes faster to install.
- Square chassis for easy installation in tight locations.
- Rust free composite drain pan.
- Compressor vibration-isolation mounts to minimize noise and vibration.
- Reconfigurable chassis allows optimal drain connection locations.
- Built-in refrigerant-line filter drier reduces installation time and protects compressor from moisture and contaminants.
- Reversing valve, pressure switches, and service ports centrally located for easy maintenance access from any side.
- Available in capacities ranging from 6K to 48K BTU/hr.

TuroVap DX Series

Reduced Size, Noise & Power Draw



TVE12-230V shown

The Emerald TurboVap series of split-system evaporators incorporates revolutionary design features with mechanical engineering that maximizes the effectiveness of R-410A, an environmentally safe refrigerant.

The TurboVap Series of direct expansion (DX) split-gas evaporators for boats is based on the revolutionary engineering advancements of the award-winning Turbo self-contained air conditioning system. Featuring a rust-free molded composite drain pan, condensate water is rapidly removed at one of two easy-to-plumb drain locations. The pan also has innovatively designed anti-slosh ridges and "positive flow" channels to ensure condensate does not spill even in the roughest seas.

For improved installation ease and flexibility, the enclosed blower motor eliminates overhang and the blower can be rotated 270° with a single adjustment screw. The unit's unique inlet ring is designed to optimize air flow and ensure that the height of the unit does not increase when the blower rotates. The fully insulated, high-velocity blowers are quiet and efficient.

Experience better noise reduction with the TurboVap Series' built-in cushioning system which minimizes vibration to the deck. Additionally, the innovative mounting clips utilize vibration isolators.

TurboVap units can be paired with condensers that use either R-22 or R-417A refrigerants. See the Emerald Series of TurboVaps and condensers for a complete split system that uses R-410A refrigerant.

The TurboVap is available in six capacities ranging from 4,000 to 16,000 BTU/hr.

Rust-free molded composite drain pan reduces standing water – 2 oz. (59 ml) vs. 16 oz. (473 ml) in ordinary pans. Innovatively engineered "positive flow" drain channels prevent the sloshing and spilling of condensate — even in the roughest seas.



Key Benefits

- Up to 28% reduced amperage
- Up to 85% reduction in standing water in the drain pan
- Up to 14% increase in cooling capacity
- Up to 15% lighter
- Up to 17% reduction in height
- Up to 19% increased air flow CFM
- Rust-free composite drain pan
- Drain pan features anti-slosh, "positive-flow" drain channels for no spills and rapid removal of condensate
- Up to 15 minutes faster to install
- Single adjustment screw for 270° of blower rotation
- High-velocity (HV) fully-insulated blowers are rotatable
- Vibration-isolation mounts reduce noise and vibration
- 115V and 230V models
- Can be used with R-22 or R-417A condensers

Technical Specifications for Emerald Condenser 6k-16k Series

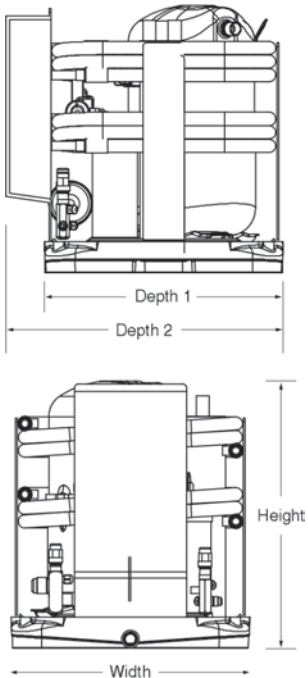
Capacity (BTU/Hr)	6,000			8,000			10,000			12,000											
	115/60/1	230/60/1	240/50/1	115/60/1	30/60/1	240/50/1	115/60/1	230/60/1	240/50/1	115/60/1	230/60/1	240/50/1									
Power (Volt/Hz/Ph)	115/60/1	230/60/1	240/50/1	115/60/1	30/60/1	240/50/1	115/60/1	230/60/1	240/50/1	115/60/1	230/60/1	240/50/1									
Full Load Amps (FLA) - heat	3.8	1.8	2.4	4.2	2.4	2.4	5.6	2.6	2.8	7.6	3.4	2.8									
Full Load Amps (FLA) - cool	5.1	2.4	3.3	5.8	3.3	3.3	7.7	3.6	3.8	9.8	4.5	3.8									
Locked Rotor Amps	36.0	17.5	17.7	36.0	17.7	17.7	42.0	22.0	21.0	58.0	28.0	21.0									
Max. Circuit Breaks (Amps)	15.0	10.0	10.0	17.0	10.0	10.0	25.0	15.0	10.0	30.0	15.0	10.0									
Refrigerant Type	R-410A			R-410A			R-410A			R-410A											
Seawater Flow (gpm/lpm)	1.5/5.7			2.0/7.6			2.5/9.5			3.0/11.4											
Unit Dimensions (in/mm)																					
Height	12.0/305			12.0/305			13.0/331			13.0/331											
Width	13.3/338			13.3/338			13.3/338			13.3/338											
Depth 1 ²	13.3/338			13.3/338			13.3/338			13.3/338											
Depth 2 (w/elec. box) ⁽³⁾	15.1/384			15.1/384			15.1/384			15.1/384											
Connections Ø																					
Sea Water (in. and type)	5/8" hose clamp			5/8" hose clamp			5/8" hose clamp			5/8" hose clamp											
Discharge	1/4"			1/4"			1/4"			1/4"											
Suction	3/8"			3/8"			3/8"			3/8"											
Weights (lbs./kg)																					
Net Weight (lbs/kg)	43.0/19.6			42.05/19.1			43.0/19.6			45.0/20.5			47.0/21.4								
Gross Weight (lbs/kg)	50.0/22.7			49.5/22.5			50.0/22.7			52.0/23.6			50.5/23.0			52.0/23.6			54.0/24.5		

16,000		
115/60/1	230/60/1	240/50/1
8.8	4.3	4.0
12.0	5.8	5.3
62.0	34.0	22.0
40.0	15.0	15.0
R-410A		
4.0/15.1		
Unit Dimensions (in/mm)		
14.1/359		
13.3/338		
13.3/338		
15.1/384		
Connections Ø		
5/8" hose clamp		
1/4"		
1/2"		
Weights (lbs./kg)		
49.0/22.3	50.5/23.0	50.0/22.7
56.0/25.5	55.0/25.9	56.0/25.5

Emerald Condenser Multi-Ton Series

Capacity (BTU/Hr) ⁽²⁾	24,000					30,000		36,000				
	230	240	230	380	230	240	230	240	230	460	380	
Voltage (VAC)	230	240	230	380	230	240	230	240	230	460	380	
Cycle (Hz)/Phase (Ph) ⁽³⁾	60/1	50/1	60/3	50/3	60/1	50/1	60/1	50/1	60/3	60/3	50/3	
Full Load Amps (FLA) - heat	6.3	6.4	4.5	2.7	7.3	8.6	9.1	9.4	6.3	3.3	4.4	
Full Load Amps (FLA) - cool	7.8	8.0	6.2	3.6	9.2	11.2	11.5	12.0	8.3	4.2	5.8	
Heat Locked Rotor Amps	43.0	46.0	55.4	28.0	54.0	64.0	74.0	67.0	71.0	38.0	45.0	
K.V.A. (Kilo-Volt-Amps) Max.	1.79	2.06	2.63	2.37	2.12	2.69	2.65	3.12	3.30	3.34	3.88	
Max. Circuit Breaker (Amps)	30	30	20	15	35	35	45	40	35	15	20	
	17	18	14	10	25	25	20	25	20	10	13	
Refrigerant R-410A (oz/g) ⁽⁴⁾	42/1191					48/1361		56/1588				
Unit Dimensions (in/mm)												
Height	18.0/458					18.0/458		18.0/458				
Width	16.0/407					16.0/407		16.0/407				
Depth 1	16.0/407					16.0/407		16.0/407				
Depth 2 ⁽⁵⁾	18.8/478					18.8/478		18.1/478				
Connections Ø												
Refrigerant Line - Discharge	3/8"					3/8"		3/8"				
Refrigerant Line - Suction	5/8"					3/4"		3/4"				
Estimated Weights												
Net Weight (lbs/kg)	98.5/44	104/47.	87/39.5	100/45.	102.25/46.		115/52	118/54	102/47	116/52.		
Gross Weight (lbs/kg)	29/58	133/60.	117/53.	152/59.	133.5/60.		117/67	150/68	130/59	48/69.		

Capacity (BTU/Hr) ⁽²⁾	48,000					60,000			72,000				
	230	240	230	460	380	230	230	460	230	240	230	460	380
Voltage (VAC)	230	240	230	460	380	230	230	460	230	240	230	460	380
Cycle (Hz)/Phase (Ph) ⁽³⁾	60/1	50/1	60/3	60/3	50/3	60/1	60/3	60/3	60/1	50/1	60/3	60/3	50/3
Full Load Amps (FLA) - heat	11.9	12.1	8.2	5.9	5.3	13.6	10.2	5.3	15.5	21.5	11.2	6.0	8.0
Full Load Amps (FLA) - cool	15.8	17.9	10.9	7.4	6.6	20.7	12.7	6.6	23.0	29.1	14.8	7.4	10.8
Heat Locked Rotor Amps	105.0	115.0	95.0	70.0	60.0	150.0	120.0	60.0	145.0	130.0	123.0	70.0	87.0
K.V.A. (Kilo-Volt-Amps) Max.	3.61	4.30	4.34	3.98	3.75	4.65	5.05	5.25	5.29	6.98	5.89	5.89	7.10
Max. Circuit Breaker (Amps)	75	70	49	30	30	80	55	30	90	90	60	30	40
Circuit Ampacity (Amps) Min	43	41	20	19	17	48	33	20	60	60	35	20	25
Refrigerant R-410A (oz/g) ⁽⁴⁾	76/2155					TBD			TBD				
Unit Dimensions (in/mm)													
Height	18.0/470					20/508			TBD				
Width	16.0/407					16/407			TBD				
Depth 1	16.0/407					16/407			TBD				
Depth 2 ⁽⁵⁾	18.8/478					18.8/478			TBD				
Connections Ø													
Refrigerant Line - Discharge	3/8"					3/8"			3/8"				
Refrigerant Line - Suction	3/4"					3/4"			3/4"				
Estimated Weights													
Net Weight (lbs/kg)	112/55	135.0/61.3				155.0/70.4			TBD				
Gross Weight (lbs/kg)	153/69	50.0/68.1				70.0/77.2			TBD				



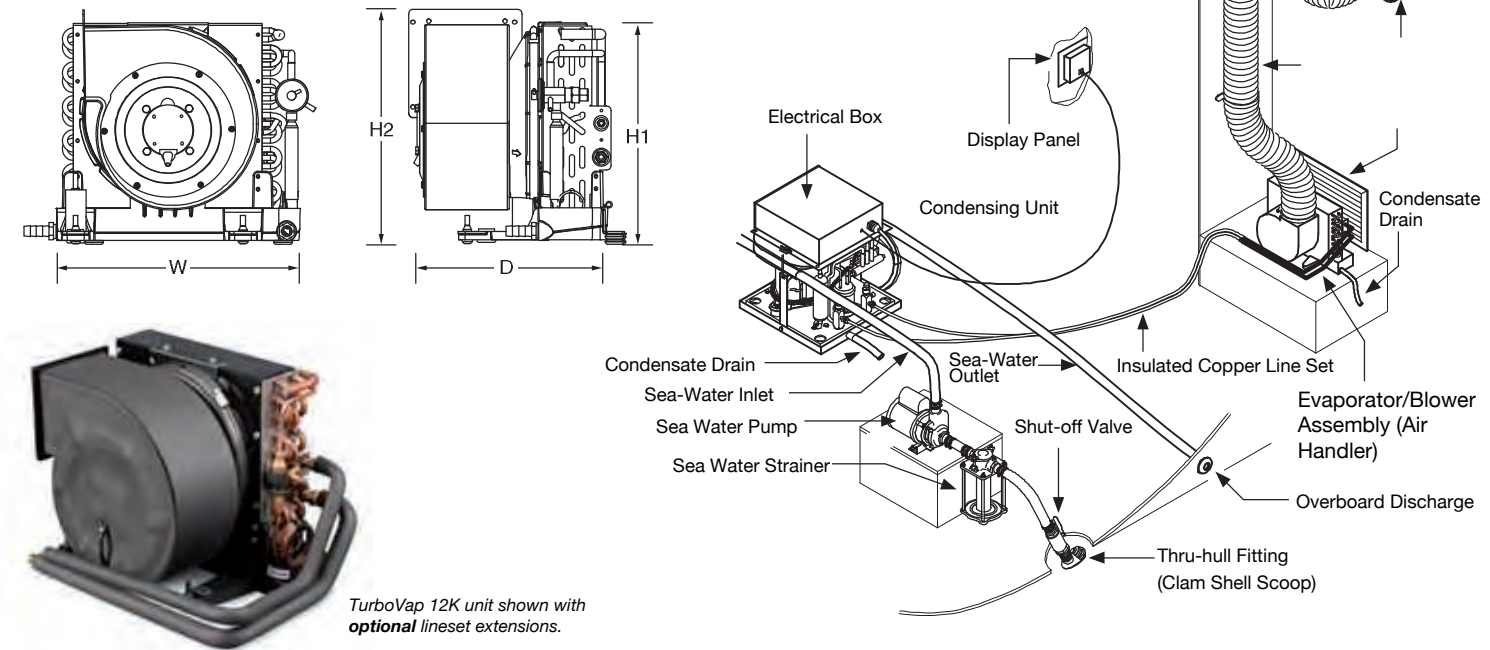
Technical Specifications for TurboVap DX Evaporators

	4,000		6,000		8,000		10,000		12,000		16,000	
Capacity BTU/hr	4,000		6,000		8,000		10,000		12,000		16,000	
Voltage (VAC) @ 50-60Hz/1 Ph	115	230	115	230	115	230	115	230	115	230	115	230
Full Load Amps Blower (FLA)	0.82	0.41	0.82	0.41	1.56	0.83	1.14	0.61	1.14	0.61	1.61	0.78
K.V.A. (Kilo-Volt-Amps)	0.09	0.09	0.09	0.09	0.18	0.19	0.13	0.14	0.13	0.14	0.19	0.18
Suggested Circuit Breaker (Amps)	2.0	1.0	2.0	1.0	2.0	2.0	3.0	1.0	3.0	1.0	3.0	2.0
Unit Dimensions (in/mm)												
Height - Evaporator (H1)	10.8/274		10.8/274		10.8/274		12.6/320		12.6/320		13.0/330	
Height - Blower (H2) ⁽²⁾	10.8/275		10.8/759		108./275		12.6/321		12.6/321		13.6/345	
Width	12.3/312		12.3/312		12.3/312		14.3/363		14.3/363		14.3/363	
Depth	9.5/241		9.5/241		9.4/239		10.4/264		10.4/264		11.6/295	
Min. Duct Size Ø	4.0/102		4.0/102		5.0/127		6.0/152		6.0/152		7.0/178	
Min. Supply Air Grille (sq. in./cm.)	32/206		32/206		48/310		60/388		70/452		81/523	
Min. Return Air Grille (sq. in./cm.)	64/413		64/413		80/516		110/710		130/839		160/1032	
Net Weight (lbs./kg.)	10.5/4.8		11.0/5.0		13.9/6.4	14.0/6.4	17.5/8		17.5/7.9		20.5/9.3	
Gross Weight (lbs./kg.)	18.5/8.4		19.0/8.6		20.75/9.5	22.0/10.0	25.5/11.6	25/11.4	24/10.9	25.5/11.6	26.75/12.2	28.5/12.9

Notes:

- (1) End all model numbers with a '115V' or '230V' depending on the selected voltage.
- (2) Add 2.0"/51mm to the height dimension to allow for the duct ring (not included) when the blower is installed in the vertical position

Typical Installation of a Split A/C System



Blowers in different configurations available up to 72,000 BTU.
Available with R-410A and R-417A Refrigerant.



No
Plumbing or
Ducting

DuraSea Rooftop Air-Cooled Air Conditioner

Drop-In Cooling Unit That Requires No Plumbing or Ducting



The DuraSea Rooftop is a 12,000 BTU/hr air conditioner* built to endure harsh marine environments. Ideal for patrol boats, house boats, and other vessels, it is designed to be installed on a flat deck or rooftop and cool the area directly below. It is air cooled and requires no plumbing or ducting.

The air-distribution box (ADB), sold separately, attaches to the underside of the unit. Accessible from the interior cabin, the ADB contains the thermostat, fan controls, return-air vent and two supply-air vents that blow in opposite directions for increased cooling capability. The three-speed blower works in cooling and ventilation-only modes.

Both the condenser and evaporator coils are coated using the ElectroFin® E-coat process which provides superior resistance to salt-air corrosion and UV damage when compared to spray coating. E-coat employs electrically charged molecules to coat the components for complete and uniform coverage with no material bridging between the fins. The E-coat material was salt-spray tested for 5,000 hours, not 1,000 like competing units. In addition, the condenser and evaporator fans are also corrosion resistant and will not rust. Unlike the competition, we use oversize coils for improved performance and dehumidification.

Rugged and strong, the DuraSea Rooftop weighs only 103 lbs. (46.7 kg). The heavy-duty reinforcement plate ties the evaporator and condenser together to minimize vibration and movement. A vibration-isolating L-bracket on the compressor and fan motor is incorporated for additional stabilization. Rubber clamps and bushings further control noise and vibration. The powder-coated base pan is 15% thicker than other models.

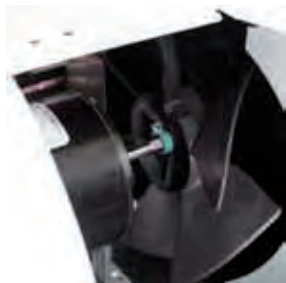
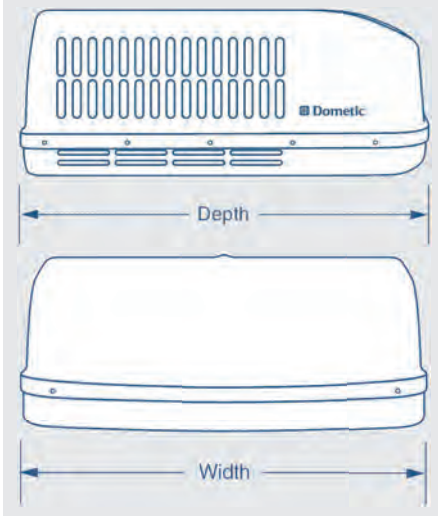
The 50Hz model is rated at 12,000 BTU/hr.

Key Benefits

- Air-cooled unit designed for rooftop or deckmount installation.
- No plumbing or ducting required.
- Rugged and strong, yet lightweight.
- High efficiency, low power consumption.
- ElectroFin® E-coat process for superior resistance to corrosion and UV damage.
- Vibration-free operation.
- Compressor stabilization to endure extreme motion.
- Three-speed high-performance fan for cooling and ventilation.
- Sealed motor and bearings.
- Stainless-steel fan-motor shaft.
- Oversize coils for better performance and dehumidification.
- Environmentally safe R-410A refrigerant.
- Air distribution box (sold separately) includes mechanical control and interior panel.
- Optional electric heat.

Capacity (BTU/hr)	12,000
Voltage/Cycle	240V/50Hz
Run Amps	7.0
Locked Rotor Amps (LRA)	28.0
Refrigerant Type	R-410A
Height (in/mm)	13.1/334
Width (in/mm)	29.8/759
Depth (in/mm)	34.8/886
Net Weight (lbs/kg)	102/46.3

¹ All dimensions ± 0.30 in. (8 mm). ² All weights ± 10%



Weather-tight fan motor and bearings with a stainless-steel shaft.



The air distribution box (sold separately) mounts on the ceiling to provide A/C controls.



Compressor is bracketed at top as well as bottom to minimize vibration and movement while under way.

Dometic Smart Touch Display

Easy to use cabin control with intuitive icons and menus. The display can be customized to your own personal preferences. With an interactive screen for easy start-up, troubleshooting and help functions.

- Easy to use cabin control with intuitive icons and menus
- Display can be customised to personal preferences
- Interactive screen for easy start-up, troubleshooting and help functions



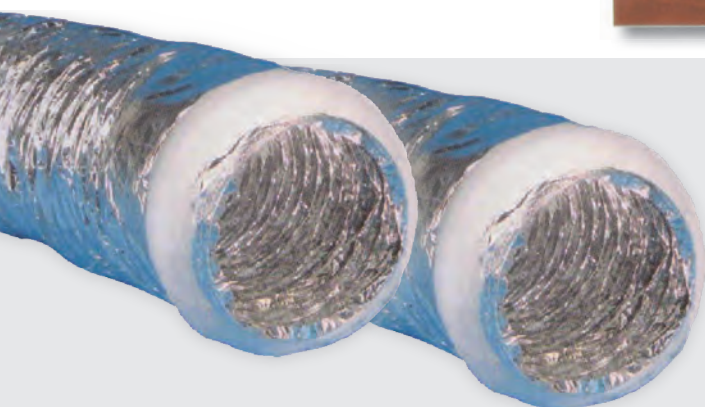
MSI Grills

Since 1977, Marine Systems, Inc. (MSI) has been manufacturing attractive wood-framed grilles to compliment beautiful yacht and cruiser interiors. Built with unmatched quality, they include many innovations that are often copied but never equaled. Available in

an almost unlimited number of sizes, types of timber and finishes. Also a selection of return and discharge grills available in white and black plastic and aluminum. Dash rounds also available in black and white, 3", 4" and 5".



Seabreeze Industries also have an array of Plenum boxes to suit all grills.



Air-conditioning Ducting

Our ducting is fully fire rated and thermally efficient resulting in lower energy consumption. Using non allergenic polyester, which is strong and durable, our ducting also assists with acoustic dampening and is Australian Standards Approved. From 3 inches and up.

3" and 4" Round Grills

Open, close and spin to direct air flow





Modular Chillers

Proven in thousands of marine installations, modular chillers by Dometic Marine range from 16,000 (under two tons) to 396,000 (33 tons) BTU/hr. For larger, custom cooling and heating capacities, their modular design allows multiplexing in multi-stage systems capable of up to 2.40 million BTU/hr (200 tons). Please refer to the following pages for additional multi-stage chiller information.

Dometic Marine single-stage chillers feature a compact footprint and are available in space-saving low-profile and fully-enclosed designs. Stainless-steel components and other tough, marine-grade materials are used in construction. Condensers are available in standard co-axial coil and shell-and-tube configurations.

KEY BENEFITS OF A DOMETIC CHILLED WATER SYSTEM

- Refrigerant gas circuit is contained within the chiller
- Allows more focused heat removal in interior spaces
- Reverse-cycle or electric immersion heating
- Scroll or rotary compressors in all standard voltages
- Multi-stage chillers are available in custom capacities and configurations
- Multi-stage chillers have built-in redundancy – the system will still function even if one of the circuits malfunctions
- Water- and air-cooled chillers available



CHILLER SERIES	SINGLE MODULE CAPACITY RANGE	MAX. MULTI-STAGE CAPACITY	COMPRESSOR TYPE	CONDENSER TYPE	SPECIAL FEATURES
MTSX	120,000 – 396,000 (10 to 33 ton)	2,400,000 BTU/hr (200 ton)	Hermetically-Sealed Scroll	Cupronickel Shell-and-Tube	<ul style="list-style-type: none"> ■ Easy maintenance access to condenser ■ High capacity in a space-saving design
TWCX	24,000 – 72,000 BTU/hr (2 to 6 ton)	432,000 BTU/hr (36 ton)	Hermetically-Sealed Rotary or Scroll	Spiral-Fluted Cupronickel Coil	<ul style="list-style-type: none"> ■ Compact, enclosed design ■ Large condenser coil for superior performance
MCGX Low-Profile	36,000 – 180,000 BTU/hr (3 ton to 15 ton)	1,080,000 BTU/hr (90 ton)	Hermetically-Sealed Scroll	Spiral-Fluted Cupronickel Coil	<ul style="list-style-type: none"> ■ Fits into height-restrictive spaces ■ Corrosion-resistant, removable PVC water headers
MCGX	24,000 – 180,000 BTU/hr (2 to 15 ton)	1,080,000 BTU/hr (90 ton)	Hermetically-Sealed Scroll	Spiral-Fluted Cupronickel Coil	<ul style="list-style-type: none"> ■ Small footprint allows installation flexibility ■ Lightweight, durable aluminum chassis
MTDX	24,000 – 120,000 BTU/hr (2 to 10 ton)	720,000 BTU/hr (60 ton)	Hermetically-Sealed Scroll	Spiral-Fluted Cupronickel Coil	<ul style="list-style-type: none"> ■ Flexible hose for water connections ■ Thermal expansion valves optimize performance in a wide range of conditions

VARIABLE CAPACITY CHILLERS



The VARCX chiller automatically matches its capacity to the thermal load of your vessel. This maximizes the system's efficiency and reduces electrical load fluctuations on your generator, allowing you to both maximize your boat's electrical efficiency and maintain a constant temperature in the chiller system's water loop. The VARCX series is available in four different capacity ranges.

MAXIMIZE EFFICIENCY & REDUCE LOAD FLUCTUATIONS

VARCX48

Electrical connections are built in; no separate electrical box

VARCX60, 72, 120

Remote electrical box can be mounted on top or on back of unit, or on a bulkhead for easy access



		VARCX60	VARCX72	VARCX120		
Capacity (BTU)	12,000-48,000	15,000-60,000	18,000-72,000	30,000 - 120,000		
Voltage (V)	208-230	208-230	208-230	230	230	380-460
Cycle (Hz)	50/60	50/60	50/60	50/60	50/60	50/60
Phase (Ph)	1	1	1	1	3	3
Full Load Amps (FLA) Cool	15.9	21.0**	28.0**	50**	40**	22.3/18.4
Full Load Amps (FLA) Heat	17.0	21.0	28.0**	50**	40**	27.5/22.7
Refrigerant	410A	410A	410A	410A	410A	410A
Seawater Connection OD Tube FPT (in/mm)	1.0 / 25	1.25 / 32	1.25 / 32	*(2x)1.25 / 32	*(2x)1.25 / 32	*(2x)1.25 / 32
Chilled Water Connection FPT (in/mm)	1.0 / 25	1.0 / 25	1.0 / 25	1.5 / 38	1.5 / 38	1.5 / 38
Drain Connection (in/mm)	0.5 / 13	0.5 / 13	0.5 / 13	0.5 / 13	0.5 / 13	0.5 / 13
Net Weight (lbs/kg)	108 / 49	172 / 78	190 / 86	315 / 143	315 / 143	315 / 143
Gross Weight (lbs/kg)	194 / 88	236 / 107	260 / 118	435 / 197	435 / 197	435 / 197
Height (in/mm)	19.7 / 501	24.0 / 610	24.0 / 610	30.4 / 772	30.4 / 772	30.4 / 772
Width (in/mm)	13.0 / 330	13.3 / 338	13.3 / 338	16.1in / 409	16.1in / 409	16.1in / 409
Depth (in/mm)	19.7 / 500	24.0 / 610	24.0 / 610	32.0 / 813	32.0 / 813	32.0 / 813
Height-Electrical Box (in/mm)	N/A	14.2 / 361	14.2 / 361	14.2 / 361	14.2 / 361	14.2 / 361
Width-Electrical Box (in/mm)	N/A	11.7 / 298	11.7 / 298	14.2 / 361	14.2 / 361	14.2 / 361
Depth-Electrical Box (in/mm)	N/A	4.1 / 105	4.1 / 105	4.1 / 106	4.1 / 106	4.1 / 106

AU-HV Gold Series Air Handlers

Rust-Free, Anti-Slosh Drain Pan With Quick & Easy Installation



Completely redesigned for easier installation and improved performance, the chilled water air handler, recipient of an Honorable Mention at the 2012 International Boatbuilders Exhibition and Conference (IBEX), incorporates many innovative features, including an optional Breathe Easy™ air purifier.

Its rust-free, anti-slosh, positive-flow drain pan quickly removes condensate water and a third drain hole can be employed to further increase drainage. Each drain hole is reinforced and has an external stop to prevent over tightening of the screw-in hose barb.

For complete flexibility, each drain hole can accept either a straight or 90-degree hose barb. In addition, the vibration-isolation mounting hardware can be attached at a variety of locations along the perimeter of the drain pan and ensures a quieter performance.



The drain pan features anti-slosh, positive-flow condensate channels, reinforced drain holes, and moveable vibration-isolation mounting clips.



The Gold air handler's HV blower can be easily rotated in the field by loosening the single adjustment screw on the blower collar (standard AU model shown).



The assembly for the optional electric heater (top) and Breathe Easy air purifier (bottom) fits between the coil and blower (standard AU model shown).

Key Benefits

- Rust-free composite drain pan
- Drain pan features anti-slosh, "positive-flow" drain channels for no spills and rapid removal of condensate
- Vibration-isolation mounts reduce noise and vibration
- Improved insulation
- Single adjustment screw for 270° of blower rotation
- Blower can be rotated to straight down position for overhead applications
- Easy access to heater overload reset button
- Flexible mounting options
- Braided, kink-proof air bleeder hose
- Reinforced drain holes prevent overtightening of hose barbs

Specifications for AU-HV Gold Series Air Handlers

Model ¹	AU6HV		AU9HV		AU12HV		AU18HV		AU24HV	
Nominal Capacity - Cool (BTU/h)	6000		9000		12000		18000		24000	
Voltage @ 50/60Hz 1-Ph (V)	230	115	230	115	230	115	230	115	230	115
Full Load Amps (FLA) Cool (A)	0.83	1.56	0.61	1.14	0.78	1.61	2.52	1.18	1.64	3.4
Full Load Amps (FLA) Heat (A)	5.18	10.26	4.96	9.84	7.3	14.65	28.61	14.22	14.68	29.49
Optional Electric Heat (kW)	1		1.5		1.5		3		3	
Max. Circuit Breaker (A)	10	15	10	15	10	20	30	15	20	35
Min. Circuit Ampacity (A)	6	11	6	11	8	16	30	15	16	31
Water Flow (gpm/lpm)	1.5/5.7		2.3/8.8		3/11.4		4.5/17.1		6/22.8	
Air Flow (cfm/m3h)	229/390		278/473		338/575		465/791		506/860	
External Static Pressure	0.3/74.7		0.3/74.7		0.3/74.7		0.3/74.7		0.3/74.7	
Chilled Water Pressure Drop (PSI)	1.1		4.4		8		4.6		11	
Min. Height (in/mm)	11.19/285		13.31/339		13.31/339		13.94/355		15.25/388	
Max. Height (in/mm) ⁽²⁾	12.13/309		13.31/339		13.38/340		15.38/391		16.75/426	
Max. Width (in/mm) ⁽²⁾	14.5/369		16.5/420		16.5/420		20.13/512		22.63/575	
Max. Depth (in/mm) ⁽²⁾	12.56/320		13.25/337		14.25/362		15/381		15.38/391	
Chilled Water Connection Size (in)	½		½		½		½		½	
Min. Supply Duct Size (in/mm)	5/127		6/153		6/153		7/178		8/204	
Min. Supply Air Grille Size (sq in/sq cm)	35/226		49/317		70/452		100/646		140/904	
Min. Return Air Grille Size (sq in/sq cm)	70/452		98/633		130/839		200/1291		240/1549	
Net Weight	0		0		30.5 lbs/13.9 kg		36 lbs/16.4 kg		0	
Gross Weight	0		0		39 lbs/17.7 kg		45 lbs/20.5 kg		0	

¹ Model numbers shown are for 115V units with high-velocity (HV) blowers. Add a 'Z' for 230V units; add '-FC' for optional flow control; add '-L' or '-R' for valve position (relative to the coil) and angle of the blower; add '___kW' for amount of optional electric heat in kilowatts (for ex. 1.5kW). See DWG H3050002 for a visual explanation of valve orientation and blower angle.

² All dimensions ± 0.30 in. (8 mm).

Seawater Pumps

Reliable & Heavy-duty Centrifugal Pumps



PH3000BX-SP and
CP0D120BX shown



P711 and PML500CL shown

Marine Air specifies reliable, heavy-duty centrifugal pumps to provide a steady flow of cooling water through the air conditioning system.

The glass-reinforced polypropylene head pumps have magnetic drive impellers, and are available with submersible or air-cooled motors. Larger pumps have bronze heads with mechanical seals, and air-cooled, drip-proof motors. A wide range of pumps and motors are available for use in different power environments.

Centrifugal pumps must be mounted below the water line. Self-priming pumps are also available for above-water-line applications. A scoop type through-hull and a seawater strainer are recommended for proper operation.

When more than one air conditioning unit is served by a single pump, a separate pump relay is used. To complete the installation, Marine Air can also supply water manifolds, hose, and fittings.

Key Benefits

- High-capacity centrifugal pumps.
- Quiet operation.
- Minimum maintenance.
- Single-phase motors have built-in thermal overload and ignition protection.
- Three-phase, ignition-protected motors.
- Seawater grade construction, with glass filled polypropylene or bronze pump heads
- Submersible or air-cooled motors.
- Vibration isolation mounts standard.
- High-head pressure models available.
- Self-priming pumps available.
- All units meet or exceed applicable ABYC and U.S. Coast Guard regulations, CE Directives and general Air Conditioning and Refrigeration (ARI) standards.

Technical Specifications for Seawater Pumps

Model	Volts/Hz/Phase	Amps	IP ⁽²⁾	HP	GPM ⁽³⁾ @ Feet of Head ⁽⁴⁾	Capacity BTU/hr ⁽⁵⁾	Inlet X Outlet	Height (in/mm)	Width (in/mm)	Length (in/mm)	Net Weight (lb/kg)
P800 12VDC	12 VDC	1.0	N	1/150	2 @ 7'	6,000	3/8" FPT X 3/8" OD	3.75/95	2.81/71	5.13/130	1.2/0.5
PMLL150-12V DC	12 VDC	1.0	N	1/150	2 @ 7'	6,000	3/8" FPT X 3/2" HB	3.0/76	2.75/70	4.5/114	1.0/0.5
PMLL150-24V DC	24 VDC	0.5	N	1/150	2 @ 7'	6,000	3/8" FPT X 3/2" HB	3.0/76	2.75/70	4.5/114	1.0/0.5
PML250	115/60/1	1.0	Y	1/35	3 @ 7'	12,000	3/4" MPT X 1/4" MPT	4.70/119	5.60/142	6.20/157	5.0/2.3
PML250C	230/50-60/1	0.5	Y	1/35	3 @ 7'	12,000	3/4" MPT X 1/4" MPT	4.70/119	5.60/142	6.20/157	5.0/2.3
P900-12V DC	12 VDC	3.8	N	1/25	3 @ 6.5'	12,000	1/2" FPT X 1/2" HB	4.5/114	3.5/89	9.0/229	4.5/2.0
P900-24V DC	24 VDC	1.9	N	1/25	3 @ 6.5'	12,000	1/2" FPT X 1/2" HB	4.5/114	3.5/89	9.0/229	4.5/2.0
PML500L	115/60/1	2.0	Y	1/20	6 @ 14'	24,000	3/4" FPT X 1/2" MPT	5.60/142	5.60/142	7.40/188	9.0/4.1
PML500CL	230/50-60/1	1.0	Y	1/20	6 @ 14'	24,000	3/4" FPT X 1/2" MPT	5.60/142	5.60/142	7.40/188	9.0/4.1
PML500CK	220/50/1	0.8	Y	1/20	6 @ 9.5'	20,000	3/4" FPT X 1/2" MPT	5.60/142	5.60/142	7.40/188	9.0/4.1
PMA500	115/60/1	2.4	Y	1/12	7.5 @ 14'	30,000	3/4" FPT X 1/2" MPT	5.0/127	4.0/102	9.0/229	7.0/3.2
PMA500C	230/50-60/1	1.2	Y	1/12	7.5 @ 14'	30,000	3/4" FPT X 1/2" MPT	5.0/127	4.0/102	9.0/229	7.0/3.2
PMA500CK	220/50/1	0.9	Y	1/12	5 @ 11'	20,000	3/4" FPT X 1/2" MPT	5.0/127	4.0/102	9.0/229	7.0/3.2
PMA1000	115/60/1	2.1	Y	1/8	12 @ 14'	48,000	1" FPT X 1/2" MPT	6.25/159	4.50/114	9.10/231	10/4.5
PMA1000C	230/50-60/1	1.0	Y	1/8	12 @ 14'	48,000	1" FPT X 1/2" MPT	6.25/159	4.50/114	9.10/231	10/4.5
P100	115/60/1	7.2	Y	1/3	15 @ 16'	60,000	1.25" FPT X 1" FPT	8.50/216	8.50/216	13.9/353	25/11
P100Z	230/50-60/1	3.6	Y	1/3	15 @ 16'	60,000	1.25" FPT X 1" FPT	8.50/216	8.50/216	13.9/353	25/11
P120	115/60/1	4.9	Y	1/3	21 @ 25'	84,000	1.25" FPT X 1" FPT	8.50/216	8.50/216	13.9/353	25/11
P120Z	230/50-60/1	3.5	Y	1/3	21 @ 25'	84,000	1.25" FPT X 1" FPT	8.50/216	8.50/216	13.9/353	25/11
P700	115/60/1	7.2	Y	1/3	32 @ 21'	128,000	1.25" FPT X 1" FPT	8.50/216	8.50/216	13.9/353	26/12
P700Z	230/50-60/1	3.6	Y	1/3	32 @ 21'	128,000	1.25" FPT X 1" FPT	8.50/216	8.50/216	13.9/353	26/12
P110Z-3PH	230/50-60/3	2.8	Y	1/2	18 @ 20'	72,000	1.25" FPT X 1" FPT	8.0/203	7.50/191	15.40/391	25/11
P110-460/3PH	460/60/3	1.4	Y	1/2	18 @ 20'	72,000	1.25" FPT X 1" FPT	8.0/203	7.50/191	15.40/391	25/11
P110-380/3PH	380/50/3	1.7	Y	1/2	15 @ 15'	60,000	1.25" FPT X 1" FPT	8.0/203	7.50/191	15.40/391	25/11

Eskimo Ice Fishbox Ice System

ESKIMO ICE EI540X

The EI540X produces up to 540 lbs/245 kg of fishbox ice per day, and has a titanium condensing coil for greater durability. The EI540X has a 16.25 x 16.25 in/413 x 413 mm footprint, making it ideal for boats with limited installation space but no less demand for reliable and efficient fishbox ice production.

- Titanium condenser dramatically increases product lifespan
- Produces up to 540 lbs/245 kg of fishbox ice per day
- Thermal expansion valve increases performance in all conditions
- Up to two remotely-mounted Smart Logic digital controls and display panels
- Photo-electric ice-level sensor and freshwater filter kit included



Key Benefits

- Produces up to 540 lbs. (245 kg) of ice per day
- Available in 50Hz and 60Hz models
- Up to two remotely-mounted Smart Logic digital control/display panels
- Thermal expansion valve increases performance for all conditions
- Compact footprint - 16.25 x 16.25 in. (413
- Photo-electric ice-level sensor
- Fresh-water filter included in kit
- Pre-charged system
- Sensors monitor all system functions

The EI1000X ice-making machine comes in a self-contained, compact package, making it ideal for boats with limited installation space but a big demand for reliable and efficient fishbox ice production. EI1000X units are easy to install and ice is generated minutes after starting the system.

EI1000X BENEFITS

- Titanium condenser dramatically increases product lifespan
- Produces up to 1,000 lbs/454 kg of fishbox ice per day
- Side panels and frame are removable to install unit through smaller openings
- Thermal expansion valve increases performance for all conditions
- Compact footprint - 21.25 x 21.25 in/540 x 540 mm
- Up to two remotely-mounted Smart Logic digital controls and display panels
- Photo-electric ice-level sensor and fresh-water filter included in kit



Key Benefits

- Produces up to 1,000 lbs/454 kg of fishbox ice per day
- Titanium durability extends service life of the system
- Compact size for easier installation
- Side panels and frame can be removed to install unit through smaller openings
- Components remain assembled even without the frame
- Highly efficient auger improves ice production and quality
- Conveys ice 50 ft/15 m through insulated delivery hose
- Supports a remote-mounted Smart Logic digital control/display panel
- CAN Bus compatible
- Can connect to Dometic's STIIC networking software for remote-control operation



BUILT FOR THE ELEMENTS Thermal expansion valve increases performance in all conditions



DIGITAL CONTROL Up to two remotely-mounted Smart Logic digital controls/display panels



INNOVATIVE DESIGN Photo-electric ice-level sensor temporarily halts ice production when fishbox is full

NEW

Dometic Spot Zero Double Pass System

Purifies Dockwater and Water Produced by Water Makers



Sz 3000Z DPPC model shown

Key Benefits

- Purifies water from dockside source
- Purifies water from onboard desalination system
- Eliminates water spots
- Removes 95-99% of total dissolved solids
- Removes viruses, cysts, and bacteria
- No need to chamois-dry surfaces
- Stop wasting time drying by hand
- Extends wax and paint life
- Provides pure water for bathing and drinking
- Compact design
- Very low power consumption
- Very low noise and vibration
- Available in capacities of 2,000 to 3,000 GPD/7,571 to 11,356 LPD

Get the benefit of Spot Zero water from both of your freshwater sources—your onboard watermaker system and the potable water provided dockside. The patent-pending Spot Zero Double Pass system processes feed water from either source automatically.

The Spot Zero rejects about 98% of total dissolved solids (TDS) in any potable water supply, creating soft, pure water that lets water-sprayed surfaces dry clean without leaving spots that have to be wiped away. Air-drying after a Spot Zero rinse helps preserve the boat's paint and wax finishes since "wiping away" dissolved solids can grind them into finished surfaces, creating minute scratches.

Dometic Spot Zero water can also be used for bathing, cooking, drinking, and making crystal-clear ice onboard. Enjoy spot-free glassware, dishes, and shower surfaces, and eliminate mineral build-up in ice machines for less maintenance. It removes viruses, cysts, bacteria and radioactive contaminants.

The Dometic Spot Zero Double Pass system connects to any brand of watermaker, including the extensive range of Dometic Sea Xchange watermakers.

The Spot Zero Double Pass freshwater reverse-osmosis system has a compact, modular design and is fully equipped and customizable. It is available in two capacities to produce either 2,000 GPD (7,571 LPD) or 3,000 GPD (11,356 LPD).

DOMETIC
spotzero®

NEW

Dometic Sea Xchange + Spot Zero XZ Series

One Compact Machine Purifies Seawater and Freshwater



Photo courtesy of Spencer Yachts

Purify seawater and dock water automatically with a single, compact machine. The XZ is the only system that combines the benefits of a watermaker and freshwater reverse-osmosis (RO) purification system for ultra-pure water onboard.

The two purification systems share one frame and one controller. A single unified XZ system reduces space requirements, cuts installation time in half, and reduces the cost of buying two separate systems.

- Purifies dockside water and raw seawater in a single compact machine
- One-touch fully automatic system with mechanical redundancy
- Integrated sound shield reduces noise of HP pump
- Remote operation via Internet and Dometic's embedded Smart Touch Integrated Intelligence Control (STIIC) software
- Available in four sizes that produce the following volumes of purified water from saltwater/freshwater: 1,200/2,000 gpd (4,542/7,571 lpd), 1,800/2,000 gpd (6,813/7,571 lpd), and 2,200/3,000 gpd (8,328/11,356 lpd)

Key Benefits

- Purifies dockside water and raw seawater in a single compact machine
- One-touch fully automatic system with mechanical redundancy
- Solenoid valve (with mechanical backup) that selects double pass or sends watermaker water directly to vessel's tank is integrated—not installed by OEM
- All plumbing connections between watermaker and water purifier are integrated—not plumbed by OEM
- Integrated sound shield reduces noise of high-pressure pump
- Both seawater and freshwater circuits are flushed simultaneously with only one freshwater supply required
- NMEA 2000 compatible
- Dometic's embedded Smart Touch Integrated Intelligence Control (STIIC) software
- Available in four sizes that produce the following volumes of purified water from saltwater/freshwater: 1,200/2,000 GPD, 1,800/2,000 GPD, 2,200/2,000 GPD, and 2,200/3,000 GPD



EASY TO USE

Color touchscreen with graphical display for easy operation



LESS MAINTENANCE

High-capacity filters are changed less frequently



LESS NOISE

Vibration-isolation mounts reduce noise and vibration



NEW

Dometic Sea Xchange XTC Watermakers

The Only Automatic Watermaker With Mechanical Redundancy



The Dometic Sea Xchange XTC watermaker lets you enjoy the freedom of fully automatic operation with the backup reliability of mechanical override for full redundancy and peace of mind.

Operation is easy and dependable. The built-in 7 in. (178 mm) color touchscreen display with a marine-ready enclosure meets the National Electrical Manufacturers Association (NEMA) 4X rating, which ensures resistance to corrosion, water, windblown dust, and external ice formation. Its color graphics are easy to read and understand. An optional remote LCD touchscreen is also available.

Providing true one-touch operation, unique programmable logic control (PLC) software monitors and regulates all system functions without operator intervention. You can relax onboard knowing your water production is optimized and ongoing.

Key Benefits

- The only fully automatic watermaker with mechanical redundancy
- Framed models can be disassembled for modular installations
- Integrated 7 in. color touchscreen display
- Unique PLC software monitors and regulates all system functions
- 316SS high-pressure pump
- 316SS booster pump and motor shaft
- TEFC motor with thermal motor protection
- Vibration isolation mounting system reduces noise and vibration
- Remote control on smart phone, tablet, or computer
- Fully upgradable from 600 to 2,200 GPD/2,271 to 8,328 LPD

Dometic Spot Zero ZTC Water Purifier Systems

Featuring Color Touchscreen & Remote Control via the Internet



The Dometic Spot Zero system removes 95-99% of total dissolved solids (TDS) from any dockside or on-board water supply. The result is soft, pure water for a spot-free wash down without the need to hand dry.

Fill your freshwater tanks with Spot Zero water for bathing, drinking, and crystal-clear ice.

Operation is easy and reliable. Providing true one-touch operation via the built-in 7 in. color touchscreen display, proprietary PLC software monitors and regulates all system functions automatically. ZTC units also provide access via smart phone, tablet, or computer anywhere in the world using Dometic's STIIC software. No other water purifier system provides this two-way interactive intelligence.

Key Benefits

- Eliminates water spots
- Removes 95-99% of total dissolved solids
- Purifies dockside water
- Removes viruses, cysts, and bacteria
- No need to chamois-dry surfaces
- Stop wasting time drying by hand
- Extends wax and paint life
- Provides pure water for bathing and drinking
- Interactive management on smart phone, tablet, or computer via the Internet
- Free app for remote monitoring with STIIC software
- Integrated 7 in. (178 mm) color touchscreen display (NEMA 4X).
- Very low power consumption
- Very low noise and vibration
- Framed unit can be disassembled for modular installation

NEW

Dometic Sea Xchange SE Watermakers

The Most Reliable & Compact System for Recreational Boaters



Dometic Sea Xchange SE600Z model shown

Travel for extended periods without having to dock for freshwater refills. Make your own water anywhere.

The Dometic Sea Xchange SE watermaker provides recreational boaters with the luxury of creating your own water while cruising on the ocean. The extremely compact SE Series produces 350 GPD (1,325 LPD) to 800 GPD (3,028 LPD) using reverse-osmosis technology to turn seawater into fresh water.

The Dometic Sea Xchange SE fits anywhere. The 2-in-1 modular or compact frame lets you make the best use of any available installation space.

Built for marine reliability, durability and rust resistance, the SE Series has a 316 stainless-steel high-pressure pump, 316 stainless-steel high-pressure regulating valve, and 316 stainless-steel boost pump motor shaft. The high-pressure pump and the boost pump are the most durable and efficient pumps available. The totally enclosed, fan cooled (TEFC) motor has thermal protection.

Other features include a backlit computer controller display and seawater membranes that are commercially available. Options include a remote-mounted control.

Key Benefits

- 2-in-1 modular or compact frame design
- Durable and reliable
- 316 stainless-steel high-pressure regulating valve
- 316 stainless-steel high-pressure pump
- 316 stainless-steel booster pump and high-pressure pump motor shafts
- TEFC motor with thermal motor protection
- Computer controller with backlit display
- Tank switch input allows for automatic shut off
- Commercially available seawater membranes
- Fully upgradable from 350 GPD (1,325 LPD) to 800 GPD (3,028LPD)
- Freshwater flush is standard

Special Options

- Remote control
- pH neutralizers
- Filter replacement kit
- Media filters (particulate and iron removal)
- Soft starts
- Manual TDS meters
- Vessel assembly upgrades
- Chemical cleaning upgrades



Integrated pressure gauges, flow meter, and control panel with backlit display.



Vibration-isolation mounts reduce noise and vibration.



Durable booster pump with 316SS motor shaft

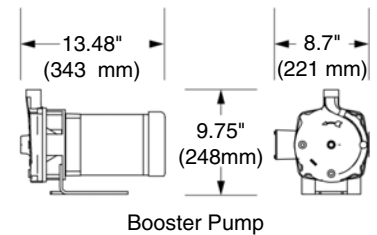
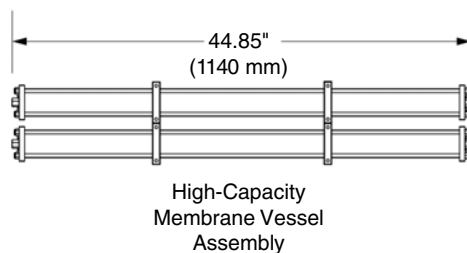
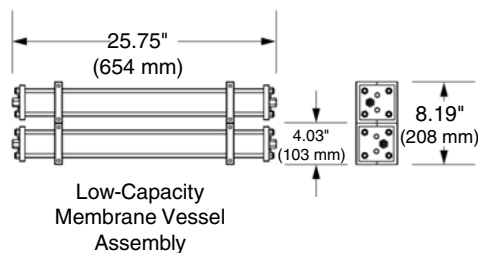
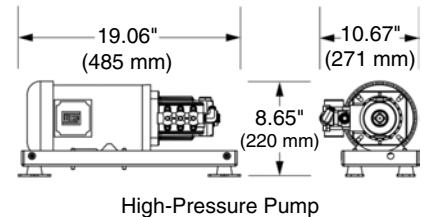
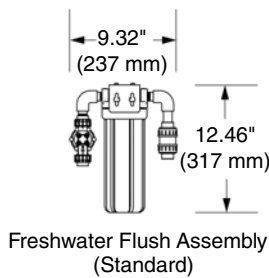
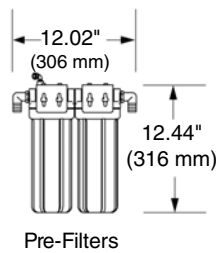
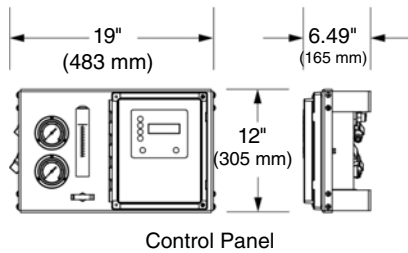
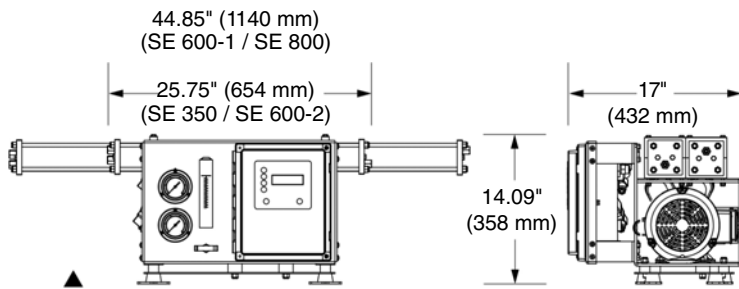


WATERMAKERS

Specifications for Dometic Sea Xchange SE Watermakers

Model	SE350	SE600-1	SE600-2	SE800	Booster Pump	HP Pump
Capacity Per Hour (gal/l)	14.6/55	25/95	25/95	33/125	N/A	N/A
Capacity Per 24 Hours (gal/l)	350/1,325	600/2,271	600/2,271	800/3,028	N/A	N/A
Amperage	10.6A @ 230V/60Hz 12.6A @ 220V/50Hz	10.6A @ 230V/60Hz 12.6A @ 220V/50Hz	10.6A @ 230V/60Hz 12.6A @ 220V/50Hz	10.6A @ 230V/60Hz 12.6A @ 220V/50Hz	3.6A @ 230V/60Hz 4.4A @ 220V/50Hz	7.0A @ 230V/60Hz 8.2A @ 220V/50Hz
Membrane Quantity	1 Low-Capacity Membrane	1 High-Capacity Membrane	2 Low-Capacity Membranes	2 High-Capacity Membranes	N/A	N/A
Net Weight (lbs/kg)	120/54.4	140/63.5	130/59.0	150/68.0	Included In Net Weight	Included In Net Weight
Shipping Weight (lbs/kg)	185/83.9	205/93.0	195/88.5	215/97.5	Included In Shipping Weight	Included In Shipping Weight
Shipping Dimensions (H X W X D)	31 X 41.5 X 48.5 in. (762 X 1,055 X 1,232 mm)					

Dimensions



Dometic Sea Xchange SXII Watermaker Systems

Turn Seawater Into Freshwater



Dometic Sea Xchange systems use reverse osmosis to turn seawater into fresh, drinkable water. Keep your water tanks filled to capacity without having to load and transport extra water supplies.

Built with high-quality components, including high-rejection seawater membranes, a compact Sea Xchange system takes up minimal space on-board and is designed for continuous high performance.

Four models range from 600 gallons per day (2,271 liters per day) to 2,200 gallons per day (8,328 liters per day) to meet a variety of on-board water requirements for drinking, cooking, bathing and cleaning.

Key Benefits

- 2-in-1 modular or compact frame design
- Durable and reliable
- 316SS flow and pressure components
- 316SS booster-pump motor shaft
- 316SS high-pressure pump
- TEFC motor with thermal motor protection
- Computer controller with backlit display
- Tank switch input allows for automatic shut off
- Automatic freshwater flush
- High-rejection seawater membranes
- Commercially available seawater membranes
- Fully upgradable from 600 to 2,200 GPD/2,271 to 8,328 LPD

Key Benefits

- Remote control
- High-capacity commercial pre-filter assembly
- UV sterilizers
- Filter replacement kit
- Soft start
- pH neutralizer
- Media filters (particulate and iron removal)
- Manual TDS meter
- Vessel assembly upgrades



Integrated pressure gauges, flow meter, and control panel with backlit display



Extremely quiet booster pump with no shaft seals IP68 Submersible rating



Vibration-isolation mounts reduce noise and vibration

Specifications for Sea Xchange Watermakers

Model	GPD	Membrane Size	Membrane Qty	HP	Height (in/mm)	Width (in/mm)	Depth (in/mm)	Net Weight (lbs/kg)
SXII600	600	2.5 x 40 in. (64 x 1,106 mm)	1	2.5	18.5/470	48/1,220	24/610	127.6/57.9
SXII1200	1,200	2.5 x 40 in. (64 x 1,106 mm)	2	2.5	18.5/470	48/1,220	24/610	142.2/64.5
SXII1800	1,800	2.5 x 40 in. (64 x 1,106 mm)	3	2.5	18.5/470	48/1,220	24/610	157.2/71.3
SXII2200	2,200	2.5 x 40 in. (64 x 1,106 mm)	4	2.5	18.5/470	48/1,220	24/610	174.2/79.0



4800 Series VacuFlush Toilets

Powerful, efficient flush. Luxurious comfort.



**Dual-Flush
Water-Saving
Modes!**

Model 4809
VacuFlush Toilet

SeaLand 4800 series all-ceramic VacuFlush® toilets bring water-efficient flushing to a new level. Boatowners can now choose between two flush modes to suit their personal preference or conserve resources – without sacrificing the powerful, bowl-clearing performance of a VacuFlush system.

Using only 1 US quart (0.95 liter) per flush in the “normal” mode or 1 US pint (0.5 liter) in the “dry bowl” mode, 4800 series toilets greatly extend holding tank capacity between pump-outs as compared to other marine toilets. In the “dry bowl” mode, water is not added to the toilet after flushing. This prevents splashing water out of the bowl while a boat is underway or in rough seas.

VacuFlush 4800 series toilets provide an abundance of features to enhance installation and performance. The contemporary shape features a compact footprint to fit in most any head compartment. They are available in low-profile and standard-height units. Discriminating owners have these options: toilet or toilet/bidet combination unit; matching bidets; white or bone colors.

The 4800 series styling matches that of 8900 series MasterFlush™ macerating toilets. This advantage provides boat designers the ability to offer choices in toilet technology across all boat model lines without altering the decor or floor plans of the baths.



Toilet/bidet models combine electronic-flush operation with manually controlled, variable temperature bidet wash. Features gentle, aerated water flow.

Key Benefits

- Powerful vacuum flush
- Ultra low water consumption in two modes – “normal” flush at 1 quart (0.95 l) or “dry bowl” flush at 1 pint (0.5 l)
- Up to two remotely-mounted Smart Logic VacuFlush touchpad or wall switch, or popular Vimar and Gewiss switch options
- Small footprint – fits in most any head compartment
- “Soft-close” thermoset seat
- Standard and low-profile heights
- Automatic “full tank” shutdown prevents overfilling the holding tank (when connected to tank level indication system)
- Service mode allows cleaning or other service without running water
- Toilet/bidet combination model available (white only)
- Matching free-standing bidet available
- 12 V DC or 24 V DC operation

4700 Series VacuFlush Toilets

Powerful Performance. Premium comfort.



4700 series
Vacuflush toilet
with electronic
flush handle

4700 series
Vacuflush toilet (see
reverse side for
flush switch
selection)

Get the water-conserving efficiency of Vacuflush technology in an opulent, residential-scale toilet with SeaLand Vacuflush 4700 series toilets from Dometic. Upscale style and electronic operation perfectly complement today's tastes in motor yacht design and convenience.

With freshwater flushing, instantaneous evacuation of bowl contents, and thorough rinsing action, Vacuflush 4700 series toilets deliver sparkling clean, odor-free performance. Using only 0.25 gal. (0.95 liter) per flush in the "normal" mode or 0.125 gal. (0.5 liter) in the "dry bowl" mode, 4700 series toilets greatly extend the use of a holding tank between pump-outs as compared to manual and other electric toilets. In the "dry bowl" mode, water is not added to the toilet after flushing. This prevents splashing water out of the bowl while a boat is underway or in rough seas.

SeaLand Vacuflush 4700 series toilets provide an abundance of features to satisfy diverse owner preferences and boatbuilder requirements. 4700 series toilets come in standard-height units with above-floor or below-floor discharge options.

Electronic flushing can be activated by either a residential-style handle or wall-mounted switch. Additional options include a choice of white or bone colors.

Key Benefits

- Powerful vacuum flush
- Ultra low water consumption in two modes – "normal" flush at 0.25 gal. (0.95 l) or "dry bowl" flush at 0.125 gal. (0.5 l)
- Vacuflush touchpad or wall switch, or popular Vimar and Gewiss switch options
- Flat-back design – fits against bulkheads
- Residential-style wood seat with elongated opening
- Automatic "full tank" shutdown prevents overfilling the holding tank (when connected to tank level indication system)
- Service mode allows cleaning or other service without running water
- 12 V DC or 24 V DC operation

Technical Specifications for 4700 Series VacuFlush® Toilets

MODEL	DESCRIPTION	DISCHARGE
4709	Standard-height all-ceramic VacuFlush electric toilet	through the floor, 1.5 in./38 mm dia. plumbing, vacuum
4748	Standard-height all-ceramic VacuFlush electric toilet	above the floor, 1.5 in./38 mm dia. plumbing, vacuum

White and bone colors available. 12 V DC and 24 V DC models available. Contact sales representative for flush handle and flush switch control options, and other details. Specifications subject to change without notice.

4700 Series VacuFlush System Requirements

ELECTRICAL	Toilet amp draw	2 amp @ 12 V DC; 1 amp @ 24 V DC
	Toilet circuit breaker/fuse	5 amp @ 12 V or 24 V DC
	Vacuum source* draw	6 amps/12 V DC; 3 amps/24 V DC)
	Vacuum source* circuit breaker/fuse	10 amps/12 V DC; 5 amps/24 V DC)
WATER SUPPLY	ID	0.5 in. NPT
	Flow rate	4.0 gpm/15.1 lpm minimum at toilet
DISCHARGE	Hose/PVC pipe ID	1.5 in./38 mm
	Horizontal run**	50 ft./15 m maximum to vacuum source
	Vertical run**	6 ft./1.8 m maximum to vacuum source
REQUIRED COMPONENTS	Electric flush switch †	Dometic, Vimar or Gewiss
	Vacuum source †	VacuFlush vacuum generator, vacuum holding tank, or holding tank system

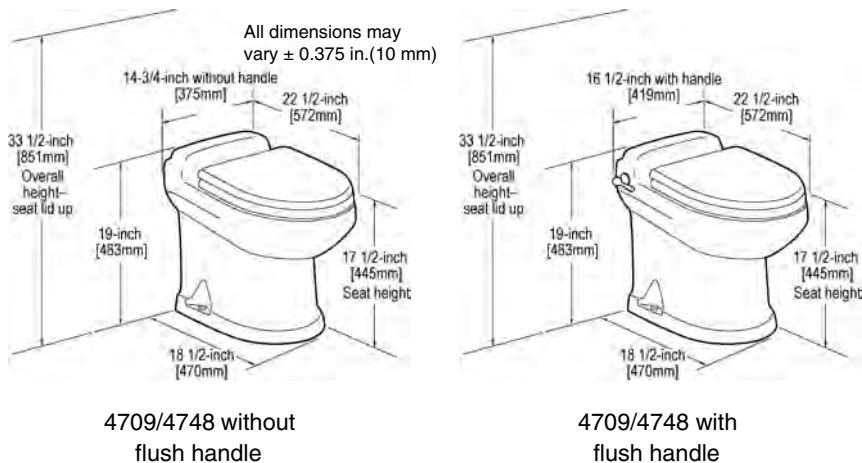
*Required for J and S series Vacuflush vacuum generators.

** Based on J and S series Vacuflush vacuum generator specification. Where applicable, see VHT series vacuum holding tank manual for other installation specification.

† Purchased separately.

Specifications subject to change without notice.

Dimensions



VacuFlush Switch panels



Vacuflush wall-mounted flush switches feature backlit push buttons for easy use, even in low light.

Water-saving Flush Settings

To reduce water consumption from 1 US quart (0.95 l) to 1 us pint (0.5 l) per flush, change from “normal” to “dry bowl” flush option by pressing “flush” switch for about five seconds. When “power on” light begins flashing, release “flush” switch. Flush setting has been changed. Change back to “normal” setting in the same manner.



Handwave motion sense control panel

The HandWave technology allows users to flush the toilet without touching the display, greatly improving hygiene!



Environmentally Responsible

VacuFlush® Toilet Flush Switch panels

Versatile designs fit popular Vimar, Gewiss frames



Key Benefits

- Complete add water/flush control at the touch of a button
- Integrated vacuum status/power lights indicate when toilet is ready to flush
- Backlit push buttons offer easy location for user, even in dark
- Adaptable with popular Vimar and Gewiss trim frames
- “Service” mode keeps flush ball open for cleaning or other service operation
- Fast installation with ethernet cable (RJ45 connectors)
- CE approved
- 12 V DC or 24 V DC operation

Dimensions (actual size shown)
 3.42 in. w x 3 in. h / 89 mm x 76 mm – VFS panel with standard frame panels fitted with Vimar and Gewiss frames will vary in appearance and size.

For electronic-flush Vacuflush toilet models, our wall-mounted flush switches offer streamlined styling while delivering user-friendly push-button operation. The VFS model includes a standard Dometic frame, yet it also can be fitted with a Vimar idea, Vimar Eikon, or Gewiss chorus frame to complement a boat’s existing electronic switch design. The VFP model will accommodate only a Gewiss Playbus-style frame.

MODEL	DESCRIPTION	COLOR	VOLTAGE	ITEM
VFS	VacuFlush switch panel - standard	gray	12/24	313408010
		white	12/24	313408020
VFP	VacuFlush switch panel - Gewiss Playbus-style	gray	12/24	313408030

VFS standard panel fits Dometic, Vimar Eikon, Vimar idea, and Gewiss chorus frames. VFP will retrofit with Gewiss Playbus frames. All flush switch panels include 10 ft./3 m electrical cable that connects to flush switch and all-ceramic Vacuflush toilet circuit board. Specifications subject to change without notice.



“Do Not Flush” light indicates that toilet system vacuum is recharging or that holding tank is full (when connected to SeaLand tank level indication system).



5000 Series VacuFlush® Toilets

Compact Design. Powerful, Efficient Flush.



Model 5009
VacuFlush Toilet

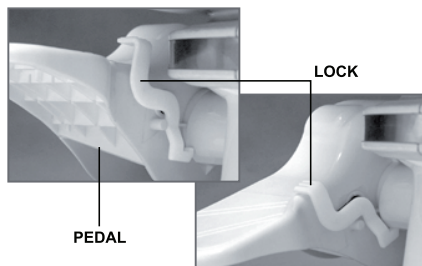
SeaLand 5000 series VacuFlush® toilets deliver many value-added benefits of a vacuum toilet system to a wide range of boat installations.

The clean, odor-free performance of VacuFlush 5000 series toilets is the result of freshwater flushing, instantaneous evacuation of bowl contents, and thorough rinsing action. Using only 1 US pint (0.5 liter) per flush, 5000 series toilets greatly extend the use of a holding tank between pump-outs as compared to manual and other electric toilets which consume three or four times more water. An integral water-line check valve provides anti-siphon protection for freshwater systems.

Available in three heights, the 5000 series will accommodate diverse floor plans, including placement on raised platforms. Shallow front-to-back footprint dimensions allow boatowners fit one in virtually any space. All three sizes are available in sparkling white and bone colors.

Pedal Lock

5140 series VacuFlush® toilets include a pedal lock. When installed in a toilet system with a VHT 12, VHT 4500, or VHT 5200 vacuum holding tank, the pedal lock holds the flush ball open to allow positive air pressure into the holding tank during pump-out. This helps assure thorough discharge of the holding tank.



Key Benefits

- Powerful vacuum flush; foot-pedal activated
- Ultra low water consumption – only 1 pint (0.5 liter) per flush
- Small footprint – fits in most any head compartment
- Full-size residential-style wood seat.
- Deep, household-size bowl
- Three heights available – standard, medium and low-profile
- Through-the-floor or through-the-wall discharge options
- 12 V DC or 24 V DC operation (connects to VacuFlush vacuum generator or holding tank system)

Technical Specifications for 5000 Series VacuFlush® Toilets

MODEL	DESCRIPTION	DISCHARGE	WEIGHT**
5006	Low-profile VacuFlush toilet	through the floor*	27 lbs./12.2 kg
5009	Standard-height VacuFlush toilet	through the floor*	28 lbs./12.7 kg
5047	Standard-height VacuFlush toilet	above the floor, right	28 lbs./12.7 kg
5048	Standard-height VacuFlush toilet	above the floor, rear	28 lbs./12.7 kg
5049	Standard-height VacuFlush toilet	above the floor, left	28 lbs./12.7 kg
5146	Medium-height VacuFlush toilet	through the floor*	28 lbs./12.7 kg
5147	Medium-height VacuFlush toilet	above the floor, right	28 lbs./12.7 kg
5148	Medium-height VacuFlush toilet	above the floor, rear	28 lbs./12.7 kg
5149	Medium-height VacuFlush toilet	above the floor, left	28 lbs./12.7 kg

*Hose or pipe discharge connection. All others use hose only.
 ** Weights may vary ± 2-3 percent.
 Specifications subject to change without notice.

5000 Series VacuFlush System Requirements

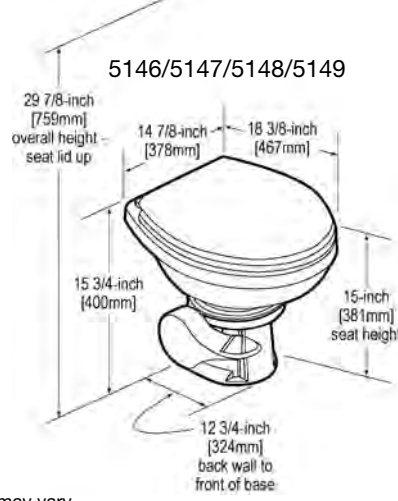
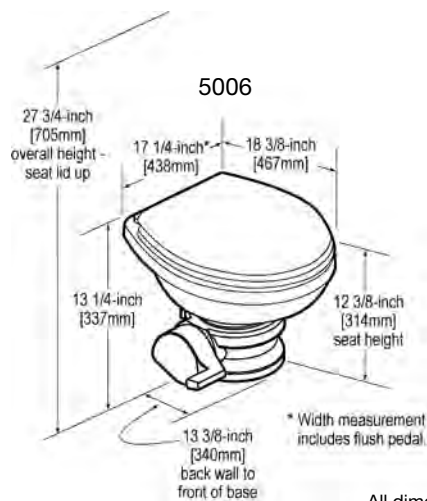
ELECTRICAL	Vacuum pump* draw	6 amps/12 V DC; 3 amps/24 V DC)
	Vacuum pump* circuit breaker/fuse	10 amps/12 V DC; 5 amps/24 V DC)
WATER SUPPLY	ID	0.5 in. NPT fitting
	Flow rate	2.0 gpm/7.6 lpm at toilet, minimum
DISCHARGE	ID	1.5 in./38 mm ID plumbing
	Horizontal run**	50 ft./15 m maximum to vacuum source
	Vertical run**	6 ft./1.8 m maximum to vacuum source
REQUIRED COMPONENT	Vacuum source †	VacuFlush vacuum generator, vacuum holding tank, or holding tank system

*Required for J and S series VacuFlush vacuum generators.
 ** Based on J and S series VacuFlush vacuum generator specifications. Where applicable, see VHT series vacuum holding tank manual for other installation specifications.
 † Purchased separately.
 Specifications subject to change without notice.



Model 5147
VacuFlush Toilet

Dimensions



All dimensions may vary ± 0.375 in. (10 mm)



500 and 700 Series VacuFlush® Toilets

Powerful performance, premium efficiency



Model 506+
VacuFlush Toilet

Model 509+
VacuFlush Toilet

500 Plus Series VacuFlush Toilets

Thousands of boatowners worldwide enjoy the easy operation, robust flush, and worry-free advantages of SeaLand 500 Plus series VacuFlush toilets. Elongated seat and deep bowl provide the most home-like comfort available in pedal-flush toilets. Miserly water consumption extends freshwater resources as well as holding tank use between pump-outs. An integral vacuum breaker protects the water supply, and the anti-splash rim keeps water in the bowl while underway. With a wide selection of color, height and discharge options, it's easy to specify a 500 Plus VacuFlush toilet to fit most any boat.

Key Benefits

- Elongated, solid seat for comfort and support
- As little as 1 pint (0.5 l) per flush
- Foot-pedal operation adds water, flushes toilet
- Standard-height and low-profile models
- Below-floor and multiple above-floor discharge options
- Available in white, bone

706 VacuFlush Toilet

With the ultra-compact model 706, a VacuFlush toilet can be fitted to smaller boats, and deliver the same powerful flush as larger VacuFlush toilet models.

Key Benefits

- Compact size fits small compartments
- As little as 1 pint (0.5 l) per flush
- Solid seat for home-like comfort
- Foot-pedal operation adds water, flushes toilet
- Integral vacuum breaker protects water supply
- Below-floor discharge; rotates 360°
- Available in white, bone colors



Model 706
VacuFlush Toilet

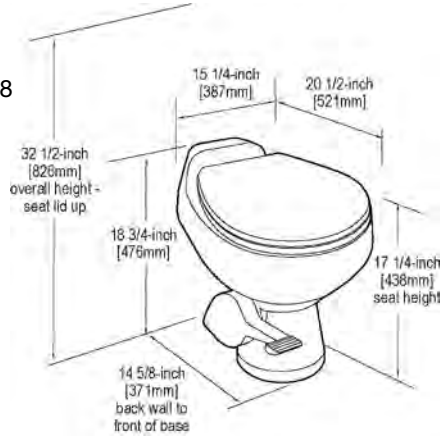
500 Plus Series Technical Specifications

MODEL	DESCRIPTION	DISCHARGE	WEIGHT**
506	Low-profile pedal-flush VacuFlush toilet	through the floor*	40 lbs./18.1 kg
508	Standard-height pedal-flush VacuFlush toilet	through the floor*	41 lbs./18.6 kg
547	Standard-height pedal-flush VacuFlush toilet	above the floor, right	41 lbs./18.6 kg
548	Standard-height pedal-flush VacuFlush toilet	above the floor, rear	41 lbs./18.6 kg

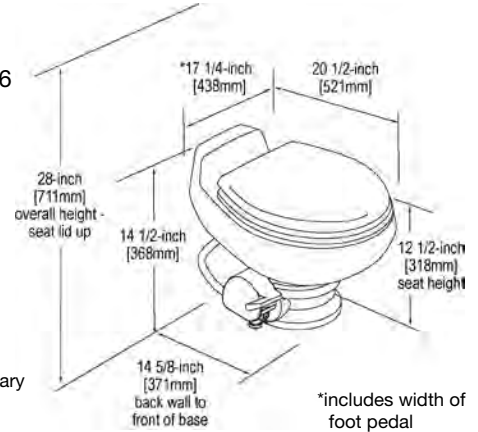
All models are available in white, bone, platinum and ebony color.
 *Hose or pipe discharge connection. All others use hose only.
 ** Weights may vary ± 2-3 percent.
 Specifications subject to change without notice.

Dimensions

508, 547, 548



506



All dimensions may vary ± 0.375 in.(10 mm)

*includes width of foot pedal

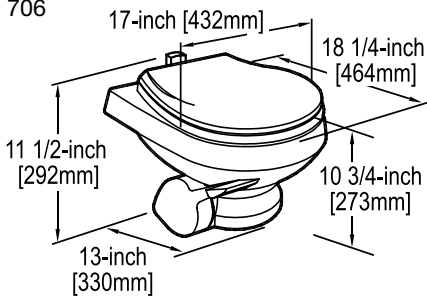
Model 706 Technical Specifications

MODEL	DESCRIPTION	DISCHARGE	WEIGHT*
706	Low-profile pedal-flush VacuFlush toilet	through the floor	27 lbs./12.2 kg

Available in white or bone color.
 * Weight may vary ± 2-3 percent.
 Specifications subject to change without notice.

Dimensions

706



All dimensions may vary ± 0.375 in.(10 mm)

500 Plus Series and Model 706 VacuFlush System Requirements

ELECTRICAL	Vacuum pump* draw	6 amps/12 V DC; 3 amps/24 V DC
	Vacuum pump* circuit breaker/fuse	10 amps/12 V DC; 5 amps/24 V DC
WATER SUPPLY	ID	0.5 in. NPT fitting
	Flow rate	2.0 gpm/7.6 lpm at toilet, minimum
DISCHARGE	ID	1.5 in./38 mm ID plumbing
	Horizontal run**	50 ft./15 m maximum to vacuum source
	Vertical run**	6 ft./1.8 m maximum to vacuum source
REQUIRED COMPONENT	Vacuum source †	VacuFlush vacuum generator, vacuum holding tank, or holding tank system

*Required for J and S series VacuFlush vacuum generators.
 ** Based on J and S series VacuFlush vacuum generator specifications. Where applicable, see VHT series vacuum holding tank manual for other installation specifications.
 † Purchased separately.
 Specifications subject to change without notice.



140 Series VacuFlush® Toilets

Compact Size For Small Head Compartments.



Model 149
VacuFlush Toilet



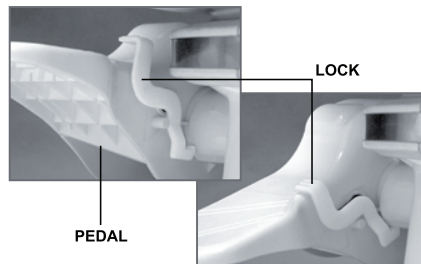
140 series VacuFlush® toilets meet the special demands of sailboats and smaller motor yachts without sacrificing the high-powered performance of larger VacuFlush toilets.

Medium-profile 140 toilet models provide a comfortable seat height when installed on raised platforms. Dimensions and plumbing configurations make the 140 series an instant replacement for older manual marine toilets, providing much easier and sanitary flushing performance.

Clean, odor-free performance results from freshwater flushing, instantaneous evacuation of bowl contents, and thorough rinsing action. Using only 1 US pint (0.5 liter) per flush, 140 series VacuFlush toilets greatly extend the use of a holding tank between pump-outs as compared to manual and other electric toilets which consume three or four times more water. A vacuum breaker provides anti-siphon protection for freshwater systems. All models are available in sparkling white and bone colors.

Pedal Lock

140 series VacuFlush® toilets include a pedal lock. When installed in a toilet system with a VHT 12, VHT 4500, or VHT 5200 vacuum holding tank, the pedal lock holds the flush ball open to allow positive air pressure into the holding tank during pump-out. This helps assure thorough discharge of the holding tank.



Key Benefits

- Powerful vacuum flush; foot-pedal activated
- Small footprint – fits in most any head compartment
- Ultra low water consumption – only 1 US pint (0.5 liter) per flush
- Premium-strength wood seat
- Pedal lock keeps flush ball open for thorough holding tank pump-out or other toilet system service
- Atmospheric vacuum breaker protects freshwater supply from backflow
- Four discharge options – through-the-floor; or above-the-floor left-side, right-side or back
- For 12 V DC or 24 V DC VacuFlush systems (connects to vacuum generator, VHT, or holding tank system)

140 Series Technical Specifications

MODEL	DESCRIPTION	DISCHARGE	WEIGHT**
146	Medium-height VacuFlush toilet	through the floor*	27 lbs./12.2 kg
147	Medium-height VacuFlush toilet	above the floor, right	27 lbs./12.2 kg
148	Medium-height VacuFlush toilet	above the floor, rear	27 lbs./12.2 kg
149	Medium-height VacuFlush toilet	above the floor, left	27 lbs./12.2 kg

*Hose or pipe discharge connection. All others use hose only.
 **Weights may vary ± 2-3 percent.
 All models are available in white or bone color.
 Specifications subject to change without notice.

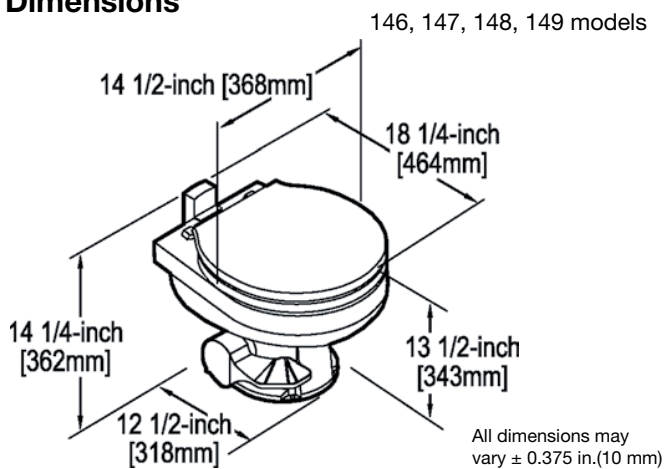
140 Series VacuFlush System Requirements

ELECTRICAL	Vacuum pump* draw	6 amps/12 V DC; 3 amps/24 V DC)
	Vacuum pump* circuit breaker/fuse	10 amps/12 V DC; 5 amps/24 V DC)
WATER SUPPLY	ID	0.5 in. NPT fitting
	Flow rate	2.0 gpm/7.6 lpm at toilet, minimum
DISCHARGE	ID	1.5 in./38 mm ID plumbing
	Horizontal run**	50 ft./15 m maximum to vacuum source
	Vertical run**	6 ft./1.8 m maximum to vacuum source
REQUIRED COMPONENT	Vacuum source †	VacuFlush vacuum generator, vacuum holding tank, or holding tank system

*Required for J and S series VacuFlush vacuum generators.
 ** Based on J and S series VacuFlush vacuum generator specifications. Where applicable, see VHT series vacuum holding tank manual for other installation specifications.
 † Purchased separately.
 Specifications subject to change without notice.



Dimensions



8600 Series Macerator Toilets

Bringing style, quality and versatility together.



Model 8679
MasterFlush Toilet

Rarely does one marine toilet fit a wide array of floor plans with equal ease. With the choice of heights, colors, flush controls and discharge plumbing, the SeaLand 8600 series of MasterFlush® toilets from Dometic now allows boatbuilders to install a fixture of unparalleled performance in virtually any bath.

The contemporary shape features a flat back to accommodate installation against interior walls. 8600 series toilets come in low-profile and standard-height units. Discriminating owners may choose from additional options: toilet or toilet/bidet combination units (available late 2010); white or bone colors.

SeaLand 8600 series macerator toilets offer two flush settings to help manage water use. The “Normal” flush setting consumes 0.85 gal. (3.2 liters) of water and adds a small amount of water to the bowl after every flush, and “Dry Bowl” flushing uses only 0.45 gal. (1.7 liters) per flush and does not add water to the bowl.

The ceramic styling of the SeaLand 8600 series matches that of 4600 series VacuFlush® toilets. This advantage provides boat designers the added ability to offer choices in toilet technology across boat model lines without altering the decor or floor plans of the baths.

Key Benefits

- Powerful macerator flush
- Flat back-style ceramic fixture – fits nicely against interior walls
- Standard and low-profile heights
- Ultra-quiet – integral water trap reduces macerator sound (tall models only)
- Toilet only or toilet/bidet combination models
- Through-the-floor and through-the-wall discharge fittings
- “Soft close” seat action
- “Normal” or “Dry Bowl” flush options
- Standard Dometic electronic touchpad or popular Vimar and Gewiss switch options
- 12 V DC or 24 V DC operation



Toilet/bidet models combine electronic-flush operation with manually controlled, variable temperature bidet wash. Features gentle, aerated water flow.

Specifications for 8600 Series MasterFlush® Toilets

MODEL	DESCRIPTION	VOLTAGE
8639	Low-profile macerator toilet	12 V DC
8649	Low-profile height macerator toilet/bidet combination	12 V DC
8679	Standard-height macerator toilet	12 V DC
8689	Standard-height macerator toilet/bidet combination	12 V DC

Toilet-only fixtures available in white or bone colors. Toilet/bidet models available in white. 24 V DC models available. See price list for model numbers. Specifications subject to change without notice.

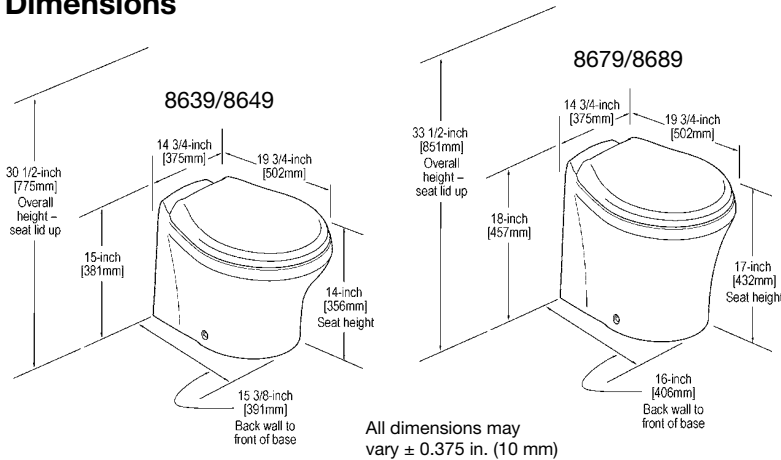
Minimum System Requirements

ELECTRICAL	Circuit breaker	20 amps/12 V DC; 15 amps/24 V DC
	Wiring	12 ga. (up to 20 ft./6.1 m from breaker)
WATER SUPPLY	Fitting	0.5 in. NPT
	Flow rate	2.0 gpm/7.6 lpm min. at toilet
DISCHARGE	ID	1.5 in./38 mm or 1 in./25 mm minimum
	Horizontal run*	98 ft./30 m maximum
	Vertical run*	9.8 ft./3 m maximum
	Tank capacity	30 gal./114 liters recommended
REQUIRED COMPONENTS	Electric flush switch**	Dometic, Vimar or Gewiss

* Horizontal and vertical run distances are not cumulative. Check for adequate discharge flow if installation nears one of these limits.

** Purchased separately. Specifications subject to change without notice.

Dimensions



Dometic Flush Touchpad



Standard Dometic panel includes “add water” and “flush” functions, “power on” and “full tank” indicator lights. Also available in white.

VacuFlush Switch panels



Vacuflush wall-mounted flush switches feature backlit push buttons for easy use, even in low light.

Water-saving Flush Settings

To reduce water consumption from 1 US quart (0.95 l) to 1 us pint (0.5 l) per flush, change from “normal” to “dry bowl” flush option by pressing “flush” switch for about five seconds. When “power on” light begins flashing, release “flush” switch. Flush setting has been changed. Change back to “normal” setting in the same manner.



Handwave motion sense control panel

The HandWave technology allows users to flush the toilet without touching the display, greatly improving hygiene!



VacuFlush® Vacuum Components

The Heart of VacuFlush® Power



J series vacuum generator



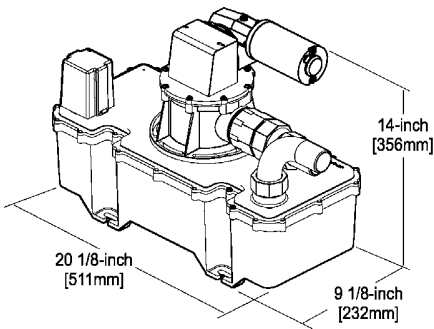
S series low-profile vacuum generator

J Series Vacuum Generator (model VG4)

As the most versatile, efficient and quiet vacuum sources developed by Dometic, J series vacuum generators offer boatbuilders more reasons than ever to install premium VacuFlush toilet systems. Along with the most efficient water and power consumption, they operate much more quietly than macerator toilet motors, and can be configured to most any marine plumbing application.

Key Benefits

- Adjustable components accommodate diverse layouts
- Large 2 in./51 mm ID openings improve flow
- Precise tolerances of injection-molded tank optimize efficiency and reliability
- Pre-wired and assembled

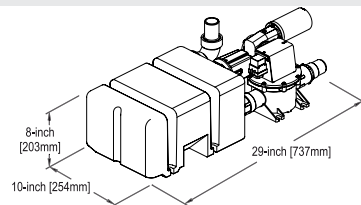


S Series Low-profile Vacuum Generator (model LPVG)

Where space is limited, this low-profile unit is the perfect fit. Provided as a single unit, the whisper-quiet pump and sturdy polyethylene tank can also be installed separately for unique applications.

Key Benefits

- Creates powerful vacuum for all VacuFlush toilets
- Vacuum pump and tank can be plumbed up to 3 feet (0.9 m) apart if necessary (requires additional sanitation hose)
- Pre-wired and assembled



J and S Series Vacuum Generator Requirements

ELECTRICAL	Power draw (avg.)	6 amps @ 12 V DC; 3 amps @ 24 VDC
	Circuit breaker/fuse*	10 amps @ 12 V DC; 5 amps @ 24 V DC
INLET PLUMBING	ID	1.5 in./38 mm sanitation hose or PVC pipe
	Horizontal run	50 ft./15.2 m max. from toilet discharge
DISCHARGE PLUMBING	Vertical run	6 ft./1.8 m max. from toilet discharge
	ID	1.5 in./38 mm sanitation hose or PVC pipe
	Horizontal run	20 ft./6.1 m max. to holding tank
REQUIRED COMPONENT	Vertical run	6 ft./1.8 m max. to holding tank
	VacuFlush toilet †	

*Requires separate circuit breaker or fuse from other electrical equipment.

† Purchased separately. Electronic-flush VacuFlush toilets require separate electrical circuit. Refer to toilet specifications. Specifications subject to change without notice.

VHT Vacuum Holding Tanks

Big VacuFlush® Power for Small Boats

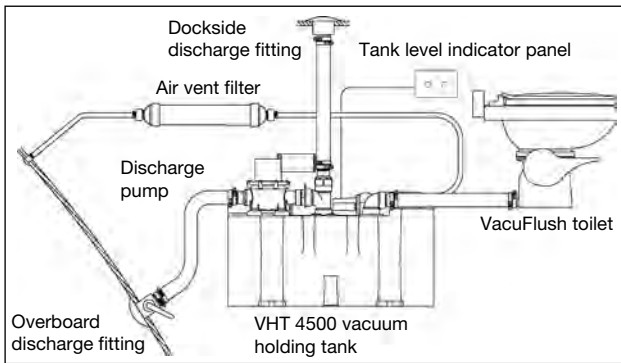
For performance boats and other trailerable boats with space too limited for typical marine toilet systems, VacuFlush VHT vacuum holding tank systems make it easy to install a complete VacuFlush toilet system on boats from 19 ft. (5.8 m) to 26 ft. (8 m) in length. VHT tank models integrate a vacuum pump, vacuum reservoir and waste holding tank into one easy-to-install unit. Compact in size, these VHT units deliver all the benefits of larger VacuFlush systems, providing a waste tank with as much flushing capacity as holding tanks that are sized for much larger boats.

VHT4500 Vacuum Holding Tank

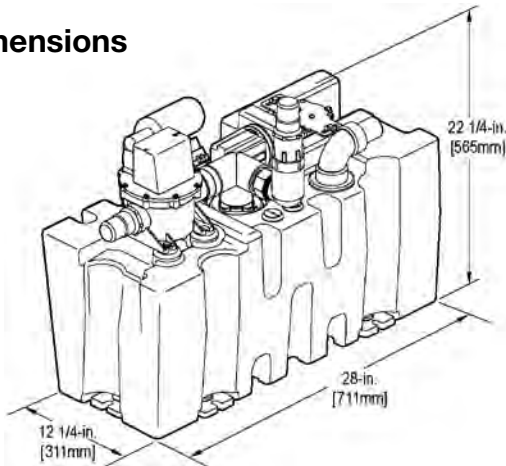
- 9-gal (34 l) VHT waste capacity holds as many flushes as 30-gal (114 l) tank with standard marine toilet
- Corrosion-proof, leak-proof, odor-proof – high-density polyethylene construction
- “3/4” and “full tank” level sensors
- Auto “full tank” shutdown to toilet system prevents tank overflow
- Easy to plumb and install – no solvent-bond connection required
- Optional discharge pump models available



VHT4511 with discharge pump (optional)



Dimensions



VHT4500 System Requirements

ELECTRICAL	Power draw (avg.)	3 amps/12 V DC
	Circuit breaker/fuse	5 amps/12 V DC
INLET PLUMBING	ID	1.5 in./38 mm
	Horizontal run	20 ft./6.1 m max. from toilet discharge
	Vertical run	3 ft./0.9 m max. from toilet discharge
DISCHARGE PLUMBING	ID	1.5 in./38 mm sanitation hose or PVC pipe
	Horizontal run*	30 ft./9.1 m max. to discharge fitting
	Vertical run*	6 ft./1.8 m max. to discharge fitting
VENT HOSE	ID	5/8 in./16 mm sanitation hose
REQUIRED COMPONENT	VacuFlush toilet †	

*When using VHT 4500 with SeaLand T series discharge pump (optional).
 † Purchased separately.
 Specifications subject to change without notice.

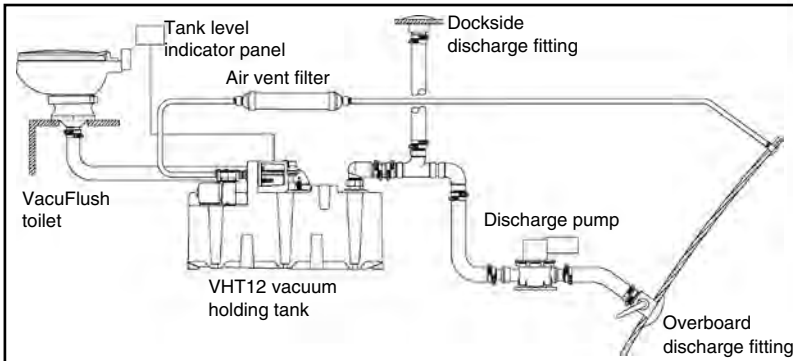
VHT4500 Technical Specifications

MODEL	DESCRIPTION	EMPTY WEIGHT*	FULL WEIGHT*
4501	9-gal./34-liter vacuum holding tank, straight discharge fitting (vertical)	30 lbs./14 kg	102 lbs./46 kg
4502	9-gal./34-liter vacuum holding tank, elbow discharge fitting (vertical)		
4511	9-gal./34-liter vacuum holding tank, swivel discharge fitting		

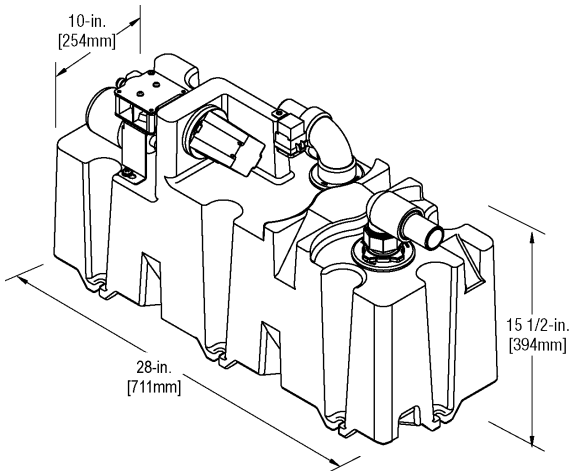
* For models with discharge pump, add 8 lbs./3.6 kg.
 Specifications subject to change without notice.

VHT12 Vacuum Holding Tank

- 6.5-gal (25 l) VHT waste capacity holds as many flushes as 17-gal. (64l) tank with standard marine toilet
- Corrosion-proof, leak-proof, odor-proof – high-density polyethylene construction
- Includes “full tank” level sensor (standard): VHT1 2 with “3/4 full” sensor option available
- Auto “full tank” shutdown to toilet system prevents tank overflow
- Easy to plumb and install – no solvent-bond connection required



Dimensions



VHT12 System Requirements

ELECTRICAL	Power draw (avg.)	3 amps/12 V DC
	Circuit breaker/fuse	5 amps/12 V DC
INLET PLUMBING	ID	1.5 in./38 mm sanitation hose or PVC pipe
	Horizontal run	20 ft./6.1 m max. from toilet discharge
	Vertical run	3 ft./0.9 m max. from toilet discharge
DISCHARGE PLUMBING	ID	1.5 in./38 mm sanitation hose or PVC pipe
VENT HOSE	ID	5/8 in./16 mm sanitation hose
REQUIRED COMPONENT	VacuFlush toilet †	

† purchased separately.
Specifications subject to change without notice.

VHT12 Technical Specification

MODEL	DESCRIPTION	EMPTY WEIGHT	FULL WEIGHT
VHT12	6.5-gal./25-liter vacuum holding tank with “full tank” sensor	26.5 lbs./12 kg	81 lbs./37 kg

For models with “3/4 full” tank sensor, contact factory.
Specifications subject to change without notice.



HTS-VG VacuFlush® Holding Tanks

Complete VacuFlush® Tank Systems In One Package

Virtually any boat from 25 feet (7.6 m) can feature a completely integrated VacuFlush toilet system by virtue of HTS-VG series holding tank systems. Our range of popular tank sizes and choice of convenience options make VacuFlush systems the most installer- and user-friendly toilet systems in motor yachts and other pleasure boats.

HTS-VG VacuFlush Holding Tank Systems

- 12 standard, full-featured models for easy specifying and installing
- Corrosion-proof, leak-proof, odor-proof - high-density polyethylene tank construction
- "Whisper-quiet" vacuum and discharge* pump operation
- All components are pre-wired, pre-plumbed, pre-tested
- Easy to use - no solvent-bond connection required
- ISO/USCG compliant tanks

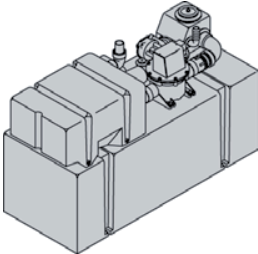
*Discharge pump not included with every HTS-VG model



28 HTS-VG

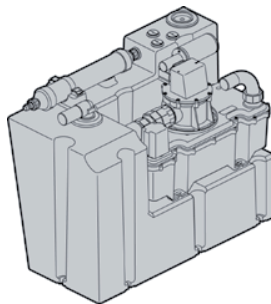
10 HTS-VG

Height: 16 in./406 mm Item: 322711012 - 12V
 Width: 10.875 in./276 mm Item: 322101024 - 24V
 Length: 32.375 in./822 mm



18 HTS-VG

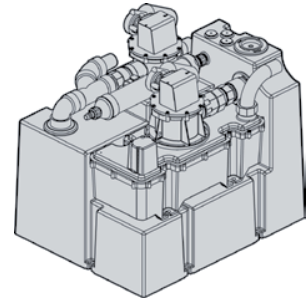
Height: 23 in./584 mm Item: 322711812 - 12V
 Width: 15.25 in./387 mm Item: 322011824 - 24V
 Length: 29.125 in./740 mm



Dimensions include height of fittings and accessories

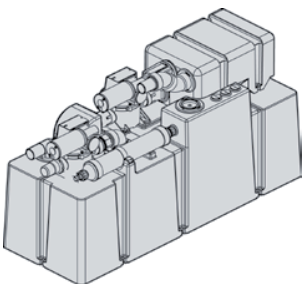
21 HTS-VG

Height: 22 in./559 mm Item: 322702112 - 12V
 Width: 20 in./508 mm Item: 322702124 - 24V
 Length: 25 in./635 mm



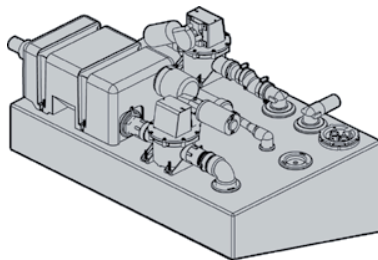
27 HTS-VG

Height: 21.375 in./543 mm Item: 322712712 - 12V
 Width: 14.75 in./375 mm Item: 322712724 - 24V
 Length: 42 in./1067 mm



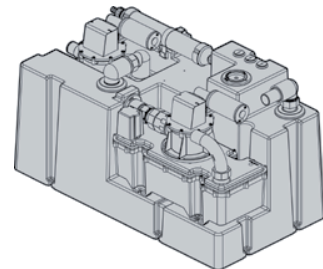
28 HTS-VG-HL

Height: 19.625 in./498 mm Item: 322722812 - 12V
 Width: 24.25 in./616 mm Item: 322722824 - 24V
 Length: 38.5 in./978 mm



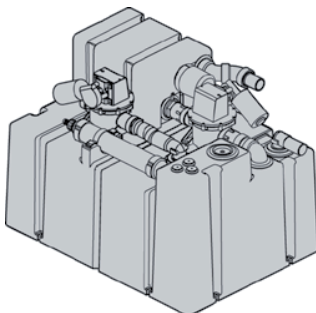
28 HTS-VG

Height: 19.75 in./502 mm Item: 322712812 - 12V
 Width: 19.25 in./489 mm Item: 322712824 - 24V
 Length: 36.75 in./933 mm



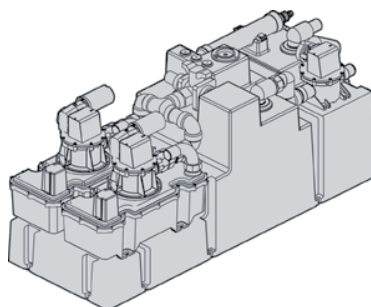
35 HTS-VG

Height: 21.5 in./546 mm
 Width: 22.5 in./572 mm
 Length: 32 in./813 mm
 Item: 322713512 - 12V
 Item: 322013524 - 24V



39 HTS-VG (for 2 VacuFlush toilets)

Height: 21.5 in./546 mm
 Width: 18.5 in./470 mm
 Length: 51 in./1295 mm
 Item: 322703912 - 12V
 Item: 322703924 - 24V



HTS-VG Series VacuFlush Holding Tank System Technical Specifications

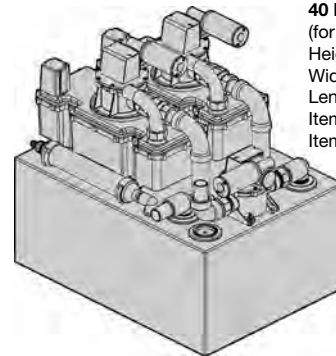
MODEL	CAPACITY (GAL./LITERS)	EMPTY WEIGHT (LBS./KG)	MAX. WEIGHT (LBS./KG)	VACUUM GENERATOR (QTY)	OUTLETS (QTY)	DISCHARGE PUMP	VENT FILTER
10 HTS-VG	10 / 38	36 / 16.3	116 / 52.6	1	1	–	–
18 HTS-VG	18 / 68	39 / 17.7	183 / 83	1	1	–	included
21 HTS-VG	21 / 80	52 / 24	220 / 100	1	2	included	included
27 HTS-VG	27 / 102	56 / 25.4	272 / 123	1	2	included	included
28 HTS-VG	27.5 / 104	56.5 / 25.6	277 / 126	1	2	included	included
28 HTS-VG-HL	28 / 106	56.5 / 25.6	281 / 128	1	2	included	included
35 HTS-VG	35 / 132	58 / 26.3	338 / 153	1	2	included	included
39 HTS-VG	39 / 148	84 / 38	396 / 180	2	2	included	included
40 HTS-VG	40 / 151	80 / 36.4	440 / 200	2	2	included	included
42 HTS-VG	42 / 159	70 / 31.8	406 / 184	1	2	included	included
55 HTS-VG	55 / 208	90 / 40.8	530 / 240	2	2	included	–
80 HTS-VG	80 / 302	90 / 40.8	730 / 331	2	2	included	–

All HTS-VG models shown here include DTM04 four-level tank monitor system and TankSaver relief valve.
 All vacuum generators include VacuFlush shutdown relay.
 Available in 12 V and 24 V DC systems. Specifications subject to change without notice.

HTS-VG System Requirements

		VACUUM GENERATOR*	DISCHARGE PUMP*	DTM04 TANK MONITOR
ELECTRICAL	Power draw (avg.)	6 amps/12 V DC 3 amps/24 V DC	6 amps/12 V DC 3 amps/24 V DC	0.15 amp/12 V DC 0.09 amp/24 V DC
	Circuit breaker/fuse	10 amps/12 V DC 5 amps/24 V DC	10 amps/12 V DC 5 amps/24 V DC	1 amp/12 V DC 1 amp/24 V DC
INLET PLUMBING	ID	1.5 in./38 mm sanitation hose or PVC pipe		
	Horizontal run	50 ft./15.2 m max. from toilet discharge 6		
	Vertical run	ft./1.8 m max. from toilet discharge 1.5		
DISCHARGE PLUMBING	ID	in./38 mm sanitation hose or PVC pipe 30		
	Horizontal run**	ft./9.1 m max. to discharge fitting		
	Vertical run**	6 ft./1.8 m max. to discharge fitting		
VENT HOSE	ID	5/8 in./16 mm sanitation hose		
REQUIRED COMPONENT	VacuFlush toilet †			

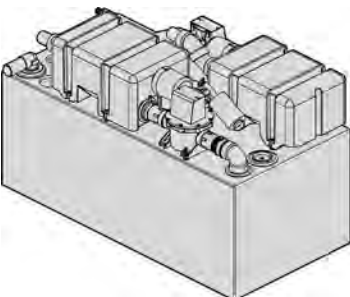
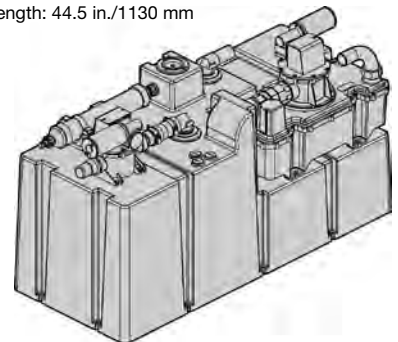
*Requires separate circuit breaker or fuse.
 ** For models with T series discharge pump.
 † Purchased separately. Electronic-flush VacuFlush toilets require separate electrical circuit. Refer to toilet specifications.
 Specifications subject to change without notice.



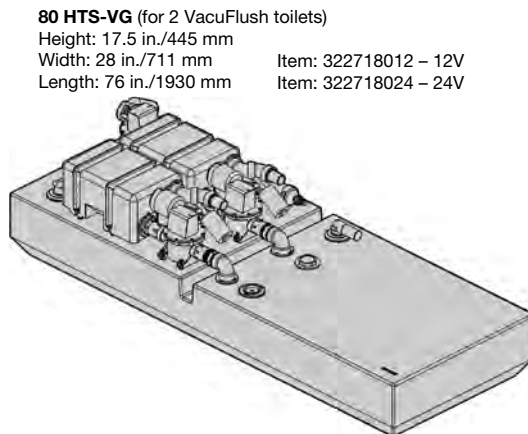
40 HTS-VG
 (for 2 VacuFlush toilets)
 Height: 28.5 in./724 mm
 Width: 22 in./559 mm
 Length: 32 in./813 mm
 Item: 322714012 – 12V
 Item: 322714024 – 24V

42 HTS-VG
 Height: 25.25 in./641 mm
 Width: 18 in./457 mm
 Length: 44.5 in./1130 mm

Item: 322714212 – 12V
 Item: 322714224 – 24V



55 HTS-VG (for 2 VacuFlush toilets)
 Height: 24 in./610 mm
 Width: 21.5 in./546 mm
 Length: 40 in./1016 mm
 Item: 322715512 – 12V
 Item: 322715524 – 24V



80 HTS-VG (for 2 VacuFlush toilets)
 Height: 17.5 in./445 mm
 Width: 28 in./711 mm
 Length: 76 in./1930 mm
 Item: 322718012 – 12V
 Item: 322718024 – 24V

Dimensions include height of fittings and accessories



SeaLand® DTM Series Tank Monitor Systems

Continuous Status of Onboard Waste System and Water Tanks



DTM04 tank monitor system

Key Benefits

- Monitors empty, low, mid and full levels
- Continuous light indicates power is on
- No false readings. No electrical components contact water
- Easy to install. Two probe assembly length options fit tanks up to 22 in./55.9 cm and 45 in./114.3 cm tall
- Optional relay shuts down toilet when waste tank is full (DTM04); or shuts down water pump when freshwater tank is full (DTMF04)
- 12V DC or 24V DC operation

Accurate, continuous tracking of tank capacities is enjoyed by boatowners with our complete series of DTM tank monitors. Each DTM panel provides easy-to-read, distinctive LED illumination that indicate up to four levels of tank contents. Level probes install in SeaLand or other rigid tanks* and are adjustable to desired level indication heights. DTM04, DTM08 and DTM12 panels can connect with DTD tank discharge control to offer convenient holding tank discharge options.

*May require SeaLand Holding Tank Flange Kit, p/n 307230272.

DTM04

DTM04 four-level tank monitor system for waste holding tank. Includes one set of tank probes.

DTM08

DTM08 four-level tank monitor system for waste holding tank and freshwater tank. Includes two sets of tank probes.

DTM12

DTM12 four-level tank monitor system for waste, graywater, and freshwater tanks. Includes three sets of tank probes.

DTMF04

DTMF04 four-level tank monitor system for freshwater tank. Includes one set of tank probes.



DTM01C

Single-level tank monitor system indicates when waste holding tank is full. Requires 3-in. dia. threaded tank opening for probe cap.



DTM01

Single-level tank monitor system indicates when waste holding tank is full. Probe assembly installs on virtually any rigid tank material.



Shut-down Relay

With DTM04 system, relay shuts off power to toilet when holding tank is full. With DTMF04 system, relay shuts off water pump when freshwater tank is empty. Plugs into back of indicator panel.



DTM Series Product Information

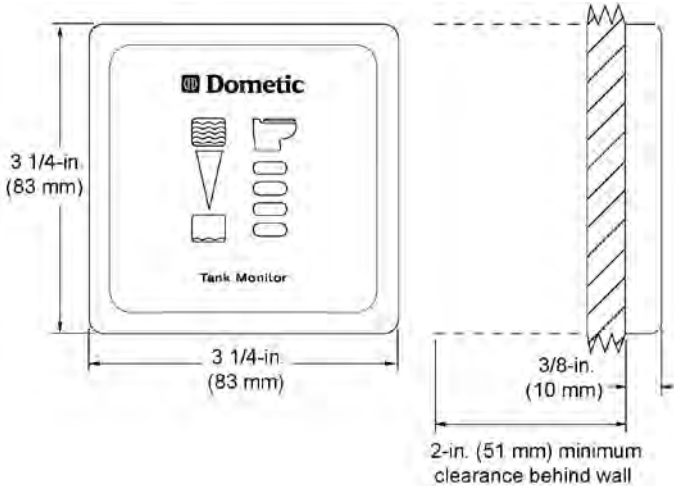
MODEL	DESCRIPTION	ITEM
DTM04	4-light waste tank panel – black; one 4-level probe cap assembly with vent, 22-in. stems	313604001
	4-light waste tank panel – black; one 4-level probe cap assembly, 22-in. stems	313604002
	4-light waste tank panel – black; one 4-level probe cap assembly with vent, 45-in. stems	313604003
	4-light waste tank panel – black, one 4-level probe cap assembly, 45-in. stems	313604004
DTM08	8-light 2-tank panel – black; two 4-level probe cap assemblies with vent, 22-in. stems	360608001
	8-light 2-tank panel – black; two 4-level probe cap assemblies , 22-in. stems	360608002
	8-light 2-tank panel – black; two 4-level probe cap assemblies with vent, 45-in. stems	360608003
	8-light 2-tank panel – black; two 4-level probe cap assemblies , 45-in. stems	360608004
DTM12	12-light 3-tank panel – black; three 4-level probe cap assemblies with vent, 22-in. stems	360612001
	12-light 3-tank panel – black; three 4-level probe cap assemblies, 22-in. stems	360612002
	12-light 3-tank panel – black; three 4-level probe cap assemblies with vent, 45-in. stems	360612003
	12-light 3-tank panel – black; three 4-level probe cap assemblies, 45-in. stems	360612004
DTMF04	4-light freshwater tank panel – black; one 4-level probe cap assembly with vent, 22-in. stems	360614001
	4-light freshwater tank panel – black; one 4-level probe cap assembly, 22-in. stems	360614002
	4-light freshwater tank panel – black; one 4-level probe cap assembly with vent, 45-in. stems	360614003
	4-light freshwater tank panel – black; one 4-level probe cap assembly, 45-in. stems	360614004
DTM01	1-light waste tank panel – black; 1-level probe assembly	313002311
DTM01C	1-light waste tank panel – black; 1-level probe cap assembly	313002312
SDR12	Shut-down relay for DTM04 and DTMF04 systems, 12V DC	385311579
SDR24	Shut-down relay for DTM04 and DTMF04 systems, 24V DC	385311580

DTM04, DTM08, DTM12, DTMF04 models also available with white panels. See price guide for item numbers. Specifications subject to change without notice.

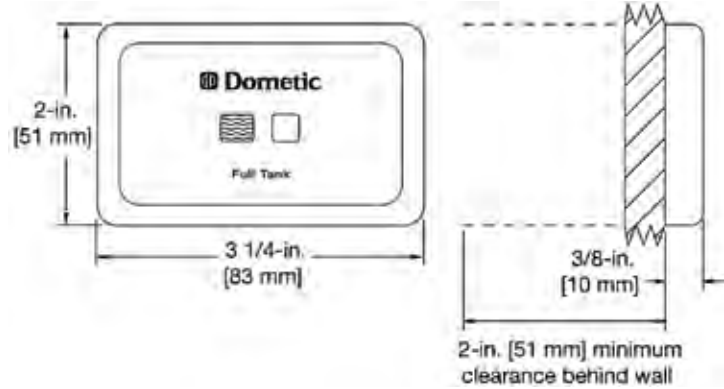
12V DC	DTM01/C	DTM04	DTM08	DTM12	DTMF04
without shut-down relay	0.016 A	0.008 A	0.016 A	0.024 A	0.008 A
with shut-down relay	N/A	0.145 A	N/A	N/A	0.145 A
24V DC					
without shut-down relay	0.008 A	0.004 A	0.008 A	0.012 A	0.004 A
with shut-down relay	N/A	0.090 A	N/A	N/A	0.090 A

Maximum shut-down relay rating for electric toilet (with DTM04) or freshwater pump (with DTMF04) is 30 amps. Specifications subject to change without notice.

DTM04, DTM08, DTM12, DTMF04 Panel Dimensions



DTM01, DTM01C Panel Dimensions



Domtic DVF Holding Tank Vent Filter

Advanced Odor Removal – Easy to Install & Replace



With the first major change to the original SeaLand vent filter in over 25 years, Dometic delivers everything boaters want in vent filter performance and serviceability.

The **innovative concave shape** of the Dometic DVF vent filter assures that malodorous gases are completely filtered through activated odor-adsorbing charcoal media. The result is more thorough odor elimination – and the assurance of more enjoyable boating.

Designed as a **direct replacement for previous SeaLand and Dometic vent filters**, the new DVF vent filter fits in the same installation brackets as older models. Hose adapters for the most popular vent hose sizes are included with the complete vent filter kit (309311001). Threaded adapters are also included for replacement on many older SeaLand holding tank systems with built-in vent filter.

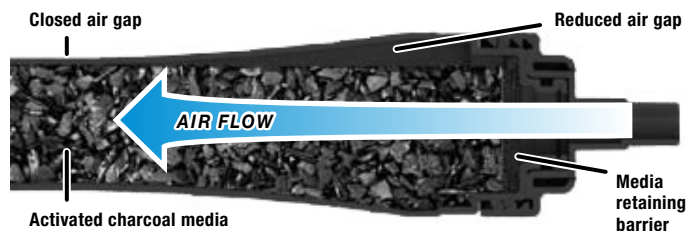


Dual-size hose adapters (5/8+3/4 in. combo, 1+1.5 in. combo) and threaded adapters make replacing previous vent filters easy.

Now constructed using recyclable plastics, all Dometic DVF filter components are much more ecologically friendly than previous SeaLand filters and many other current vent filters. The polypropylene hose adapters (plastic #5) for hose sizes or connections that are not needed for an installation can be immediately recycled. The eventually-replaced filter cartridge – made of HDPE (plastic #2) – can also be recycled when properly disposed.

The universal filter cartridge, **made with 55% less plastic than previous filter cartridges**, fits ALL OE-installed Dometic DVF vent filters regardless of the vent hose size for easy replacement.

Maximum Odor Adsorption



Charcoal media can settle inside a horizontal vent filter casing and leave a gap through which unfiltered air may flow. To reduce that possibility, Dometic DVF is concave so that the settling media will completely fill the middle, forcing all malodorous gas to pass through the activated media for maximum odor adsorption.

Key Benefits

- Improved malodorous gas filtration
- New filter cartridge uses **55% less plastic** than previous SeaLand vent filter cartridge
- Earth-friendly, recyclable plastic components
- Fits in same space and brackets as previous SeaLand vent filters for easy change-over
- Complete kit includes fittings for popular vent hose ID sizes: 5/8 in., 3/4 in., 1 in., 1-1/2 in. (16mm, 19mm, 25mm, 38mm)
- One replacement cartridge fits all SeaLand ECO filter sizes

Dometic DVF filter replacement cartridge (309311002) will fit into retaining fasteners of previous SeaLand ECO filter, regardless of hose ID size.



Environmentally Responsible

SeaLand® Plumbing Fittings and valves

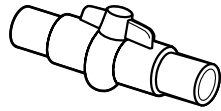
For use with flexible marine sanitation hose

Ball and Check valves

For use with OdorSafe® plus 1.5 in. (38 mm) ID hose

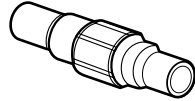
Ball valve

- Non-corroding PVC with Teflon® seals



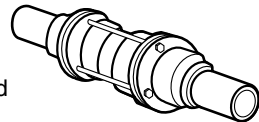
Check valve

- For light-duty applications



In-Line Check valve

- For heavy-use applications
- Check valve can be replaced without removing hoses



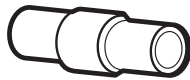
ITEM	DESCRIPTION
308346087	Ball valve – 1.5 in. (38 mm)
308238696	Check valve – 1.5 in. (38 mm)
308300011	In-line check valve – 1.5 in. (38 mm)

Hose Fittings

For use with OdorSafe® plus 1.5 in. (38 mm) ID hose. Kits include custom Hose Adapters.

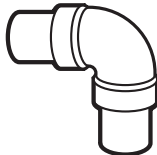
Hose Mender Kit

- Connects 1.5 in. (38 mm) hose ends together
- Includes two adapters



90° Bend Kit

- Provides smooth sweep corner to eliminate kink
- Includes two adapters



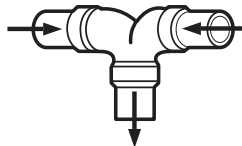
Hose Adapter Kit

- Connects 1.5 in. (38 mm) hose to 1.5 in. (38 mm) FPT fitting
- Includes one adapter



Double Bend Kit

- Connects intersecting hose ends together per indicated flow
- Includes three adapters



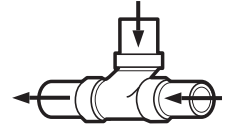
Wye Kit

- Connects intersecting hose ends together per indicated flow
- Includes three adapters



Tee Kit

- Connects intersecting hose ends together per indicated flow
- Includes three adapters



PvC 45° Street ell

- Adapts to all 1.5 in. (38 mm) fittings shown here



Reducing Adapter

- Connects 1.5 in. (38 mm) hose to 1 in. (25 mm) hose
- Includes one adapter



PvC 90° Street ell

- For tight corners
- Can be used with other PVC fittings shown here



PvC Adapter

- Connects 1.5 in. (38 mm) hose with custom Hose Adapter or rigid PVC pipe to 1.5 in. (38 mm) fitting



Custom Hose Adapter

- Can be used with all 1.5 in. (38 mm) PVC fittings with socket connection
- Lubricated hose or cuff slides on easily



ITEM	DESCRIPTION
307230310	Hose mender kit
307230311	90° bend kit
307230312	Hose adapter kit
307230313	Double bend kit
307238798	Wye kit
307238802	Tee kit
307231104	45° street ell
307231113	Reducing adapter
307231161	PVC 90° street ell
307231425	PVC adapter
385341513	Custom hose adapter



SeaLand® Holding Tank Accessories

Upgrade tank quality and performance

Diptube Kit

Removes waste through top of tank – eliminates stagnant waste from sitting in discharge line connected at bottom of tank.

- Prevents clogging; reduces tank residual
- Fits tanks up to 30 in. (762 mm) high
- Easy to install



ITEM	DESCRIPTION
385310660	Holding tank diptube kit

NozAll™ Pump-out Adapter

Provides airtight seal between rubber nozzle or cam-operated type pump-out station nozzle and most boat deck discharge fittings.

- Cleaner pump-outs – eliminates need for messy water source to assure sufficient vacuum
- Three sizes accommodate most discharge fitting threads



ITEM	DESCRIPTION
310343502	11.5 tpi (4.5 tpcm), 1-7/8 in. (48 mm) OD
310343503	11.5 tpi (4.5 tpcm), 1-5/8 in. (41 mm) OD
310343504	16 tpi (6.3 tpcm), 1-5/8 in. (41 mm) OD

Universal Level indicator Kit

Permits easy upgrade from single to multiple level holding tank monitor system.

- Replaces individual TankWatch® probes
- Two probes lengths adjust to any tank size or desired indication level
- Integrates with any domestic tank monitor system



ITEM	DESCRIPTION
385311253	Universal level indicator kit with 12-in. (305 mm) probe
385311254	Universal level indicator kit with 24-in. (610 mm) probe

TankSaver® Relief valve

Protects holding tanks from excessive suction of dockside pumps during holding tank pump-out.

- Installs easily – no sealant or spinweld required
- Excellent odor seal

ITEM	DESCRIPTION
313255247	TankSaver relief valve



Universal Clean-out Kit

Provides convenient access to tank interior for inspection and cleaning.

- Installs easily on any rigid tank material
- Includes 3-in. (76 mm) inspection port and cap, o-ring, gasket and stainless steel hardware



ITEM	DESCRIPTION
307238685	Universal holding tank clean-out kit

Universal Flange Kit

Allows domestic tank monitor probe cap installation into existing holding tank.

- Creates 3-in. (76 mm) inspection port
- Includes threaded fitting, gasket and hardware



ITEM	DESCRIPTION
307230272	Universal flange kit



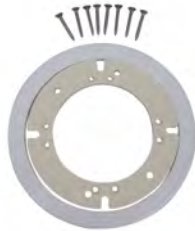
SeaLand® Marine Toilet Parts

For all Dometic ceramic toilets

Universal Mounting Kit

- For installing SeaLand®, Traveler® toilets with 4-bolt connections to existing 2-bolt floor flanges.

ITEM	DESCRIPTION
385310139	Universal mounting kit – white
385310140	Universal mounting kit – bone



Toilet Bowl Seal Kits

- Replaces toilet bowl seals on SeaLand®, Traveler®, Vacuflush® toilets

ITEM	DESCRIPTION
385316140	Bowl seal kit – with overflow holes
385311462	Bowl seal kit – without overflow holes
385311009	Bowl seal kit for 3000, 3100, 3200, 3300, 4300, 4400, 4600, 4700, 4800 series toilets



Water Valve Kit

- Replaces water valve on SeaLand®, Traveler®, Vacuflush® foot-pedal toilets.

ITEM	DESCRIPTION
385314349	Water valve for foot-pedal toilet *

* Does not fit Dometic model 310 toilet



Vacuum Breaker Kit

- Replaces vacuum breaker on SeaLand®, Traveler®, Vacuflush® and other domestic toilets. Not for use with hand-held sprayer.

ITEM	DESCRIPTION
385316906	Vacuum breaker for 500+, other series toilets
385318065	Vacuum breaker for 500 series toilets



Vacuum Breaker Kit

- Replaces vacuum breaker on SeaLand®, Traveler®, Vacuflush® toilets. For toilet with hand-held sprayer.

ITEM	DESCRIPTION
385230335	Vacuum breaker for 500+, other series toilets
385230325	Vacuum breaker for 500 series toilets



Vacuum Breaker & Hand Sprayer Kit

- Replaces vacuum breaker with hand sprayer on SeaLand®, Traveler®, Vacuflush® toilets.

ITEM	DESCRIPTION
385319054	Vacuum breaker with white color hand sprayer
385319055	Vacuum breaker (for 500 series toilets) with white color hand sprayer
385319056	Vacuum breaker with chrome finish hand sprayer
385319057	Vacuum breaker with ebony color hand sprayer



Flush Ball, Spring Cartridge & Shaft Kit

- Replaces flush ball, shaft and spring cartridge assembly on SeaLand®, Traveler®, Vacuflush® foot-pedal toilets*.

* Does not fit domestic model 310 toilet

ITEM	DESCRIPTION
385318162	Ball/cartridge/shaft kit for vacuum toilet with metal pedal † – white
385310177	Ball/cartridge/shaft kit for vacuum toilet with metal pedal – ebony
385310681	Ball/cartridge/shaft kit for gravity-discharge toilet with all-plastic pedal – white
385310954	Ball/cartridge/shaft kit for vacuum toilet with all-plastic pedal – white
385236096	Spring cartridge only for toilet with metal pedal
385310683	Spring cartridge only for toilet with all-plastic pedal
	† Metal pedal includes metal lever with 2-pc. plastic cover



Floor Flange Seal Kit

- Replaces worn floor seal on SeaLand®, Traveler®, Vacuflush® toilets.

ITEM	DESCRIPTION
385310063	Floor flange seal kit, 4-bolt toilet
385311267	Floor flange seal, 2-bolt toilet



Floor Flange

- For new installation or replacement of SeaLand® gravity-discharge toilets.

ITEM	DESCRIPTION
385343765	3-inch spigot floor flange
385345889	3-inch MPT floor flange
385345892	3-inch socket floor flange
385310961	3-inch, 45° swivel floor flange adapter



SeaLand® Marine Toilet Parts

For Dometic portable toilets and VacuFlush® systems

960 Series Hold-down Brackets

- Secures 960 series portable toilet models to floor surface.



ITEM	DESCRIPTION
385310018	Short brackets for models 962, 964
385310239	Long brackets for models 965, 966

960 Series Latch Kit

- Replaces side latches on Dometic 960 series portable toilets.



ITEM	DESCRIPTION
385310066	Latch kit – white color
385310067	Latch kit – parchment color

960 Series Slide valve Kit

- Replaces flush handle/slide valve assembly on 960 series portable toilets.



ITEM	DESCRIPTION
385239064	960 flush handle/slide valve kit

960 Series Spare Parts Kit

- Includes freshwater tank and waste tank caps, hinge pins, O-ring and handle clip.



ITEM	DESCRIPTION
385310572	960 series spare parts – parchment color
385310573	960 series spare parts – platinum color

970 Series Mounting Brackets

- Secures 970 series portable toilet models to floor surface.



ITEM	DESCRIPTION
385320005	Stainless steel mounting brackets and fasteners for 970 series toilets

970 Series MSD Fittings Kit

- Replaces MSD fittings on 974MSD, 975MSD models.
- Converts 972, 974, 975 or 976 models to MSD toilets.



ITEM	DESCRIPTION
385320006	MSD fittings for 972, 974 models
385320007	MSD fittings for 975, 976 models

VacuFlush® Maintenance Kit

- Complete repair and spare parts kit for Vacuflush toilet system.



ITEM	DESCRIPTION
385310228	
DESCRIPTION	
Includes water valve kit (385314349), seal kit (385316140), VacuFlush toilet owner's manual (600340066), vacuum tester (318530002), (2) 1.5-inch duckbill valve kits for S-series vacuum pump (385310076) and (2) 2-inch duckbill valve kits for J-series vacuum generator (385311208).	

Duckbill valve Kits

- 1.5-inch (38 mm) dia. valve kit replaces worn or damaged duckbill valves in Vacuflush S-series vacuum pumps and vacuum generators, and SeaLand T-series waste discharge pumps.
- 2-inch (51 mm) dia. valve kit replaces worn or damaged duckbill valves in Vacuflush J-series vacuum generators and M-series vacuum pumps.



ITEM	DESCRIPTION
385310076	Two 1.5-in. duckbill valves
385311208	Two 2-in. duckbill valves
385311581	Four 2-in. duckbill valves

Pump Bellows Kit

- Replaces worn or damaged bellows in J- and S-series vacuum pumps, and T-series discharge pump.
- Includes bushing and bolt.



ITEM	DESCRIPTION
385230980	Pump bellows, bushing and bolt





COMPRESSOR REFRIGERATORS

UNBEATABLE PERFORMANCE

HOME-LIKE COOLING COMFORT

The compressor refrigerators in the CoolMatic CRX series are ingenious quick change artists. Their trick is no secret, but a patented Dometic invention. The freezer compartment can simply be pulled out to make room for a larger fridge or freezer. The desired temperature is set on the soft touch control panel which is mounted flush in the inner wall and elegantly integrates the LED light. There's smart electronics behind it: the system regulates the compressor speed therefore achieving energy savings of up to 25 %.

**COOLING, FREEZING
OR BOTH AT THE SAME
TIME**

**UP TO 25 % LESS
ENERGY
CONSUMPTION!**

**12/24 VOLT AND 100 – 240
VOLT CONNECTION COMES
STANDARD**

WAECO CoolMatic CRX-50

Premium built-in refrigerator in stainless steel appearance for motorhomes, caravans, yachts and boats.



Gross capacity	approx. 45 litres including 4.4 litre freezer compartment
Voltage	12/24 volts DC and 100-240 volts AC
Average power consumption	approx. 40 watts
Power consumption	1.4 Ah/h at +25 °C ambient temperature 1.7 Ah/h at +32 °C ambient temperature both at +5 °C interior temperature and -18 °C in the freezer compartment
Insulation	CFC-free polyurethane foam
System	Fully hermetic Secop compressor with integrated control electronics, low-voltage protection, electronic fuse/automatic reverse pole protection, dynamically ventilated wire tube condenser, mechanical, cont. variable thermostat
Material	Stainless steel fittings, plastic interior, plastic door frame, vinyl coated steel door panel, body with coated metal frame
Colour	Body: black, door frame: silver, door panel: matt-silver (brushed stainless steel appearance)
Weight	17 kg
Quality features	Interior light, door with magnetic seal, variable door mounts and hinges right/left, door with double lock (top/bottom) and dual function (locking/ventilation), separately insulated energy efficient freezer compartment, additional, foamed rear-wall evaporator in the interior, easy-to-change decor panel, automatic defrosting, low voltage protection.

Product	Ref. No.
CoolMatic CRX-50	CRX-1050
Standard installation frame for CRX-1050	CRX-050-EST
Flush-mount installation frame for CRX-1050	CRX-050-EFM

-  Temperature range +5 °C (fridge) to -18 °C (freezer)
-  Suitable for solar operation
- Tropical-rated (equivalent to DIN EN ISO 7371)

- Condensation drainage via hose connection or collection tank
- 4 installation points for fastening from inside
- Right hinged door as standard

- Standard or flush-mount installation frame available as accessory
- Secop (formerly Danfoss) compressor



WAECO CoolMatic CRX-65

Premium built-in refrigerator in stainless steel appearance for motorhomes, caravans, yachts and boats.



Gross capacity	approx. 57 litres including 7 litre freezer compartment
Voltage	12/24 volts DC and 100-240 volts AC
Average power consumption	approx. 45 watts
Power consumption	1.6 Ah/h at +25 °C ambient temperature 1.9 Ah/h at +32 °C ambient temperature both at +5 °C interior temperature and -18 °C in the freezer compartment
Insulation	CFC-free polyurethane foam
System	Fully hermetic Secop compressor with integrated control electronics, low-voltage protection, electronic fuse/automatic reverse pole protection, dynamically ventilated wire tube condenser, mechanical, cont. variable thermostat
Material	Stainless steel fittings, plastic interior, plastic door frame, vinyl coated steel door panel, body with coated metal frame
Colour	Body: black, door frame: silver, door panel: matt-silver (brushed stainless steel appearance)
Weight	19 kg
Quality features	Interior light, door with magnetic seal, variable door mounts and hinges right/left, door with double lock (top/bottom) and dual function (locking/ventilation), separately insulated energy efficient freezer compartment, additional, foamed rear-wall evaporator in the interior, easy-to-change decor panel, automatic defrosting, low voltage protection.

Product	Ref. No.
CoolMatic CRX-65	CRX-1065
Standard installation frame for CRX-1065	CRX-065-EST
Flush-mount installation frame for CRX-1065	CRX-065-EFM



WAECO CoolMatic CRX-80

Premium built-in refrigerator in stainless steel appearance for motorhomes, caravans, yachts and boats.



Gross capacity	approx. 78 litres including 7.5 litre freezer compartment
Voltage	12/24 volts DC and 100-240 volts AC
Average power consumption	approx. 48 watts
Power consumption	1.8 Ah/h at +25 °C ambient temperature 2.1 Ah/h at +32 °C ambient temperature both at +5 °C interior temperature and -18 °C in the freezer compartment
Insulation	CFC-free polyurethane foam
System	Fully hermetic Secop compressor with integrated control electronics, low-voltage protection, electronic fuse/automatic reverse pole protection, dynamically ventilated wire tube condenser, mechanical, cont. variable thermostat
Material	Stainless steel fittings, plastic interior, plastic door frame, vinyl coated steel door panel, body with coated metal frame
Colour	Body: black, door frame: silver, door panel: matt-silver (brushed stainless steel appearance)
Weight	21 kg
Quality features	Interior light, door with magnetic seal, variable door mounts and hinges right/left, door with double lock (top/bottom) and dual function (locking/ventilation), separately insulated energy efficient freezer compartment, additional, foamed rear-wall evaporator in the interior, easy-to-change decor panel, automatic defrosting, low voltage protection.

Product	Ref. No.
CoolMatic CRX-80	CRX-1080
Standard installation frame for CRX-1080	CRX-080-EST
Flush-mount installation frame for CRX-1080	CRX-080-EFM

-  Temperature range +5 °C (fridge) to -18 °C (freezer)
-  Suitable for solar operation
- Tropical-rated (equivalent to DIN EN ISO 7371)
- Condensation drainage via hose connection or collection tank
- 4 installation points for fastening from inside
- Right hinged door as standard


WAECO CoolMatic CRX-110

Premium built-in refrigerator in stainless steel appearance for motorhomes, caravans, yachts and boats.



Gross capacity	approx. 107.5 litres including 9.5 litre freezer compartment
Voltage	12/24 volts DC and 100-240 volts AC
Average power consumption	approx. 50 watts
Power consumption	2.2 Ah/h at +25 °C ambient temperature 2.5 Ah/h at +32 °C ambient temperature both at +5 °C interior temperature and -18 °C in the freezer compartment
Insulation	CFC-free polyurethane foam
System	Fully hermetic Secop compressor with integrated control electronics, low-voltage protection, electronic fuse/automatic reverse pole protection, dynamically ventilated wire tube condenser, mechanical, cont. variable thermostat
Material	Stainless steel fittings, plastic interior, plastic door frame, vinyl coated steel door panel, body with coated metal frame
Colour	Body: black, door frame: silver, door panel: matt-silver (brushed stainless steel appearance)
Weight	23.5 kg
Quality features	Interior light, door with magnetic seal, variable door mounts and hinges right/left, door with double lock (top/bottom) and dual function (locking/ventilation), separately insulated energy efficient freezer compartment, additional, foamed rear-wall evaporator in the interior, easy-to-change decor panel, automatic defrosting, low voltage protection.

Product	Ref. No.
CoolMatic CRX-110	CRX-1110
Standard installation frame for CRx-1110	CRX-110-EST
Flush-mount installation frame for CRX-1110	CRX-110-EFM

- Standard or flush-mount installation frame available as accessory
- Secop (formerly Danfoss) compressor
-  3 year full warranty
additional 2 year (parts only) compressor

WAECO CoolMatic CRX-140

Premium built-in refrigerator in stainless steel appearance for motorhomes, caravans, yachts and boats.

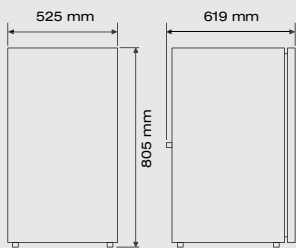


WITH BUILT IN 240 VOLTS AC

CR-140

Built-in dimensions

W525 x **H**805 x **D**566 mm (without door)



Gross capacity	approx. 135 litres including 11 litre freezer compartment
Voltage	12 / 24 volts DC and 100-240 volts AC
Average power consumption	approx. 65 watts
Power consumption	2.3 Ah/h at +25 °C ambient temperature 2.6 Ah/h at +32 °C ambient temperature both at +5 °C interior temperature and -18 °C in the freezer compartment
Insulation	CFC-free polyurethane foam
System	Fully hermetic Secop compressor with integrated control electronics, low-voltage protection, electronic fuse / automatic reverse pole protection, dynamically ventilated wire tube condenser, mechanical, cont. variable thermostat
Material	Stainless steel fittings, plastic interior, plastic door frame, vinyl coated steel door panel, body with coated metal frame
Colour	Body: black, door frame: silver, door panel: matt-silver (brushed stainless steel appearance)
Weight	30 kg
Quality features	Interior light, door with magnetic seal, variable door mounts and hinges right/left, door with double lock (top/bottom) and dual function (locking/ventilation), separately insulated energy efficient freezer compartment, additional, foamed rear-wall evaporator in the interior, easy-to-change decor panel, automatic defrosting, low voltage protection.

- Condensation drainage via hose connection or collection tank.
- Separately insulated energy efficient freezer compartment.
- Right-hinged door as standard.
- Standard or flush-mount installation frame available as accessory.

Product	Ref. No.
CoolMatic CRX-140	CRX-1140
Standard installation frame for CRX-1050	CRX-140-EST
Flush-mount installation frame for CRX-1050	CRX-140-EFM

Temperature range +5 °C (fridge) to -18 °C (freezer)

Suitable for solar operation

Tropical-rated (equivalent to DIN EN ISO 7371)

12/24 volts DC

100-240 volts AC

3 year full warranty
additional 2 year (parts only) compressor

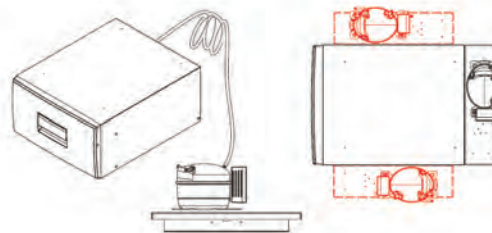
WAECO CoolMatic CD-030

Smart inside or outside drawer fridge for any RVWV, boat or truck.



Mounting brackets included

Gross capacity	approx. 30 litres
Voltage	12 / 24 volts DC
Average power consumption	approx. 40 watts
Weight	approx. 18 kg
Dimensions	W 440 x H 250 x D 560 mm (D 730 mm Including compressor)
Avg. running time	20% at 20 °C ambient temperature 40% at 32 °C ambient temperature
Material	Sturdy metal housing with injection moulded parts, metal slide system, metal latches



A smart solution in confined spaces: the cooling unit can be fitted separately and up to 1.5m away.

Product	Ref. No.
CoolMatic CD-030	CD-030

Temperature range +12 °C to -2 °C

Suitable for solar operation

Secop (formerly Danfoss) compressor

3 year full warranty
additional 2 year (parts only) compressor

CU 80 SERIES COOLING UNITS

EVAPORATORS

The CU series: Tailor-made kits for when standard fridges just don't fit the available space.



DOMETIC COLDMACHINE CU 84

Cooling unit for max. 250 l, horizontal design

- Power regulated, efficient air-cooled compressor
- Supplied with pre-charged refrigerant and self-sealing valve couplings for easy installation
- The corrosion resistant stainless steel mounting plate offers durability
- Five evaporator options available
- 12 or 24 V DC
- Up to 250 l (refrigerator) or 70 l (freezer) capacity

DOMETIC COLDMACHINE CU 85

Cooling unit for max. 250 l, cubic design

- Power regulated, efficient air-cooled compressor
- With corrosion-resistant stainless steel mounting plate
- Five evaporator options available
- 12 or 24 V DC
- 230 V connection with optional adapter
- Up to 250 l (refrigerator) or 70 l (freezer) capacity
- Suitable for floor mounting

DOMETIC COLDMACHINE CU 86

Cooling unit for max. 250 l vertical design

- Power regulated, efficient air-cooled compressor
- With corrosion - resistant stainless steel mounting plate
- Five evaporator options available
- 12 or 24 V DC
- 230 V connection with optional mains adapter
- Up to 250 l (refrigerator) or 70 l (freezer) capacity
- Suitable for floor and wall mounting

DOMETIC COLDMACHINE VD-05

Plate evaporator for 80 Series cooling units

- Fully variable, external thermostat gives you convenient temperature control
- LED indicator for cooling cycle monitoring
- Ideal for maximizing cooling performance
- Cooling capacity: 170 l maximum (50 mm PU insulation)
- Self-sealing valve couplings for easy installation

COOLING UNITS TECHNICAL DATA				EVAPORATORS TECHNICAL DATA
Product	CU-84	CU-85	CU-86	VD-05
Application	-	-	-	Coolers & Refrigerators
Dimensions (W x H x D) mm	386 x 155 x 130	220 x 155 x 220	220 x 230 x 177	375 x 350 x 25
Connection Pipe length	-	-	-	2 m
Input Voltage (DC)	12/24 V	12/24 V	12/24 V	12/24 V
Power Input (DC)	-	-	-	45 W
Weight	6 kg	6 kg	6.5 kg	1.5 kg
Compressor	BD35	BD35	BD35	-
Ref No.	9105306597	9105306598	9105306599	9105306605





**DOMETIC
COLDMACHINE
VD-08**

Angle evaporator for 80 Series cooling units

- LED indicator for cooling cycle monitoring
- Easy installation thanks to self-sealing valve couplings
- Continuously variable temperature control via external thermostat
- Cooling capacity: 170 maximum (50 mm PU insulation)

**DOMETIC
COLDMACHINE
VD-09**

O-evaporator for 80 Series cooling units

- LED indicator for cooling cycle monitoring
- Can be used as a deep-freeze compartment in your fridge
- Ideal for maximizing cooling performance
- Cooling capacity: 180 l maximum (50 mm PU insulation)
- Self-sealing valve couplings for easy installation

**DOMETIC
COLDMACHINE
VD-15**

Circulating air evaporator for 80 Series cooling units

- High performance circulating air evaporator for optimal cooling performance
- Ensures your fridge operates with minimal power consumption
- Self-sealing valve coupling for easy installation
- Maximum capacity 250 l with 50 mm PU insulation

**DOMETIC
COLDMACHINE
VD-18**

Plate evaporator for 80 Series cooling units

- Continuously variable, external thermostat gives you convenient temperature control
- LED indicator for cooling cycle monitoring
- Ideal for maximizing cooling performance
- Cooling capacity: 150 l maximum (50 mm PU insulation)
- Self-sealing valve couplings for easy installation

VD-08	VD-09	VD-15	VD 18
Coolers & Refrigerators	Coolers & Refrigerators	Coolers & Refrigerators	Coolers & Refrigerators
450 x 270 x 340	365 x 140 x 270	220 x 275 x 65	350 x 250 x 25
2 m	2 m	2.5 m	2 m
12/24 V	12/24 V	12/24 V	12/24 V
60 W	60 W	60 W	45 W
2 kg	2 kg	1.5 kg	1.5 kg
-	-	-	-
9105306607	9105306608	9105306612	9105306614



CU 90 SERIES COOLING UNITS

EVAPORATORS



DOMETIC COLDMACHINE CU 94

Cooling unit for max. 400 l, horizontal design

- The power regulated high-performance compressor gives 25% more cooling power
- Designed for extra-large refrigerator capacities up to 400 l or deep-freeze cooling up to 200 l
- Adaptive Energy Optimizer Electronics for improved efficiency
- The corrosion resistant stainless steel mounting plate offers durability
- Three evaporator options available

DOMETIC COLDMACHINE CU 95

Cooling unit for max. 400 l, cubic design

- The power regulated high-performance compressor gives 25% more cooling power
- Designed for extra-large refrigerator capacities up to 400 l or deep-freeze cooling up to 200 l
- Adaptive Energy Optimizer Electronics for improved efficiency
- The corrosion resistant stainless steel mounting plate offers durability
- Three evaporator options available

DOMETIC COLDMACHINE CU 96

Cooling unit for max. 400 l, vertical design

- Power cooling unit capable of cooling up to 400 l (refrigerator) or 200 l (deep freeze)
- With corrosion-resistant stainless steel mounting plate
- 12 or 24 V DC
- Suitable for tropical waters
- Three evaporator options available
- Suitable for floor and wall mounting

DOMETIC COLDMACHINE VD-14N

Circulating air evaporator for 90 Series cooling units

- High performance circulating air evaporator for optimal cooling performance
- Ensures your fridge operates with minimal power consumption
- Continuously variable room thermostat gives you flexibility
- Maximum capacity 400 l with 50 mm PU insulation

COOLING UNITS TECHNICAL DATA			EVAPORATORS TECHNICAL DATA
CU-94	CU-95	CU-96	VD-14N
-	-	-	Coolers & Refrigerators
386 x 155 x 130	220 x 155 x 220	220 x 230 x 177	250 x 310 x 90
-	-	-	2.5 m
12/24 V	12/24 V	12/24 V	12/24 V
-	-	-	80 W
6 kg	6 kg	6.5 kg	2.5 kg
BD50	BD50	BD50	-
9105306600	9105306601	9105306602	9105306609





DOMETIC COLDMACHINE VD-16

Circulating air deep-freeze evaporator for 90 Series cooling units

- For optimal cooling power
- Ensures your freezer operates with minimal power consumption
- Continuously variable temperature control via thermostat
- Self-sealing valve coupling for easy installation
- Maximum capacity 200 l with 100 mm PU insulation



DOMETIC COLDMACHINE VD-21

Plate evaporator for 90 Series cooling units

- Continuously variable, external thermostat gives you convenient temperature control
- LED indicator for cooling cycle monitoring
- Ideal for maximizing cooling performance
- Cooling capacity: 250 l maximum (50 mm PU insulation)
- Freezing capacity: 150 l max (100 mm PU insulation)
- Self-sealing valve couplings for easy installation

EVAPORATORS TECHNICAL DATA		
Product	VD-16	VD 21
Connection Pipe length	2.5 m	2 m
Application	Freezers	Refrigerators & Freezers
Dimensions (W x H x D) mm	330 x 280 x 145	1373 x 305 x 10
Input Voltage (DC)	12/24 V	12/24 V
Power Input (DC)	60 W	60 W
Weight	2.5 kg	4 kg
Compressor	-	-
Ref No.	9105306613	9105306615

ACCESSORY



DOMETIC COLDMACHINE W480.3

Air exhaust hood with duct for Series 80 and 90 cooling systems

- Provides effective ventilation
- Easy to install
- Reliable performance

ACCESSORY SPECIFICATIONS	
Product	W480.3
Dimensions (W x H x L) mm	130 x 130 x 2000
Weight	1.03 kg
Ref No.	9103540107

Dometic is a global market leader in branded solutions for mobile living in the areas of Climate, Hygiene & Sanitation and Food & Beverage. Dometic operates in the Americas, EMEA and Asia Pacific, providing products for use in recreational vehicles, trucks and premium cars, pleasure and workboats, and for a variety of other uses. Dometic offer products and solutions that enrich people's experiences away from home, whether in a motorhome, caravan, boat or a truck. Our motivation is to create smart and reliable products with outstanding design. We operate 28 manufacturing/assembly sites in 11 countries, sell our products in approximately 100 countries and manufacture approximately 85% of products sold in-house. We have a global distribution and dealer network in place to serve the aftermarket. Dometic employs approximately 8,200 people worldwide, had net sales of SEK 14.0 billion in 2017 and is headquartered in Solna, Sweden.

E & OE. Please note: Dometic may introduce modifications to products, therefore details herein are subject to change without notice. No liability is accepted for errors. Printing processes may not depict colour accurately.



Seabreeze Industries National Network

With a national network of highly experienced marine service technicians, Seabreeze Industries is the industry leader in service and support for boat owners and manufacturers around Australia. We pride ourselves on being the partner of choice for Australia's leading boat builders, and this reputation has been forged through many years of meeting and exceeding our clients' expectations. Call us today to experience how Seabreeze Industries can help you.

Notes

Team Contacts

Steve Quan
 Managing Director
 steve@seabreeze-industries.com.au
 0417 735 541

Jason Holden
 Technical Applications
 jason@seabreeze-industries.com.au
 0450 387 006

Renee Robey
 Office Manager
 admin@seabreeze-industries.com.au
 07-5546 2804

Jeff Green
 NSW Sales Manager
 jeff@seabreeze-industries.com.au
 0410 522 611




www.seabreeze-industries.com.au

Mobile living made easy.